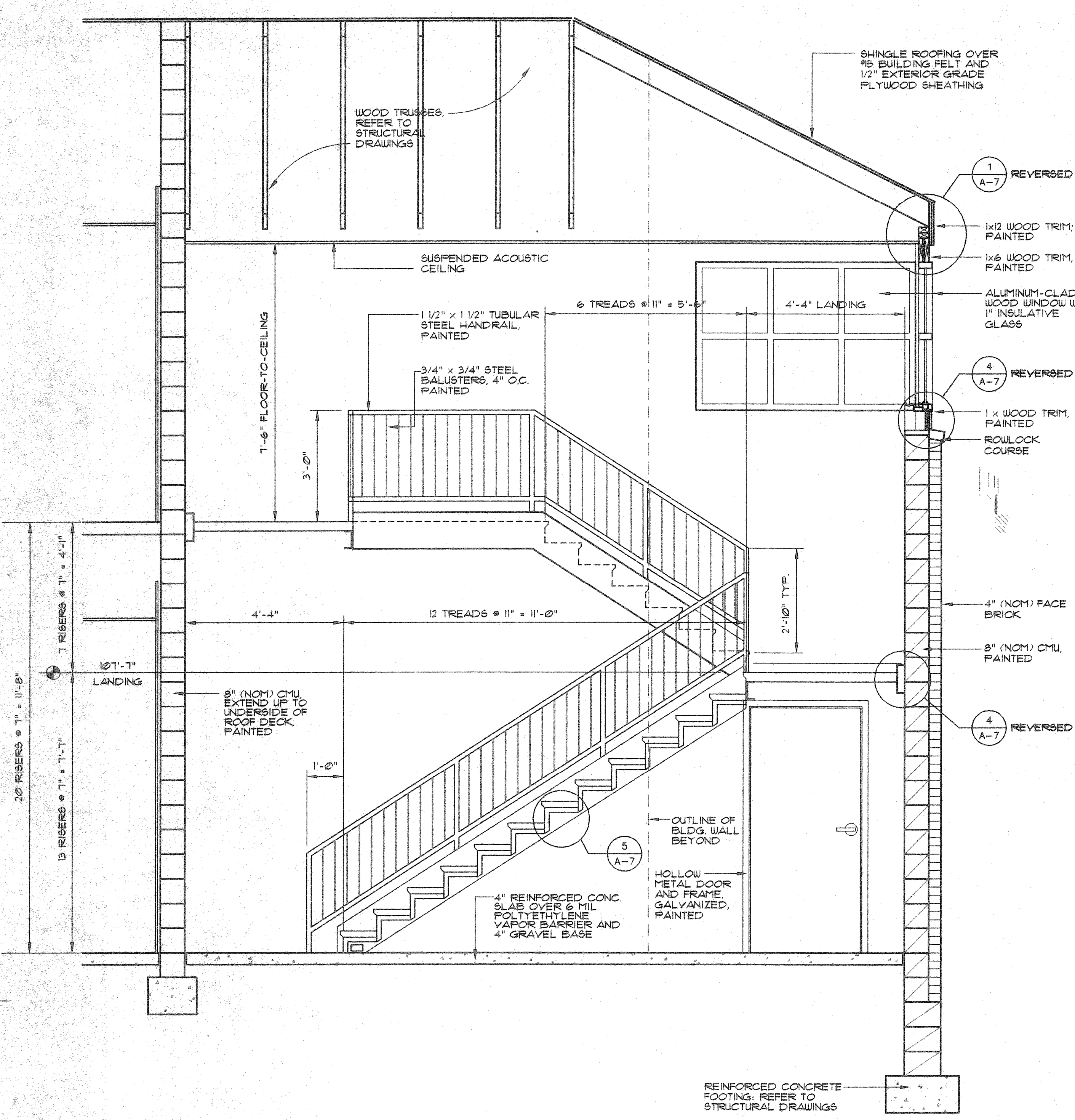


This drawing and the material appearing herein, constitute the original and unpublished work of Feinknopf Macioce Schappa Architects, Inc. and may not be used on any project for any purpose, nor may the same be copied (except by those governmental agencies required by law), or disclosed without written consent of the architect.

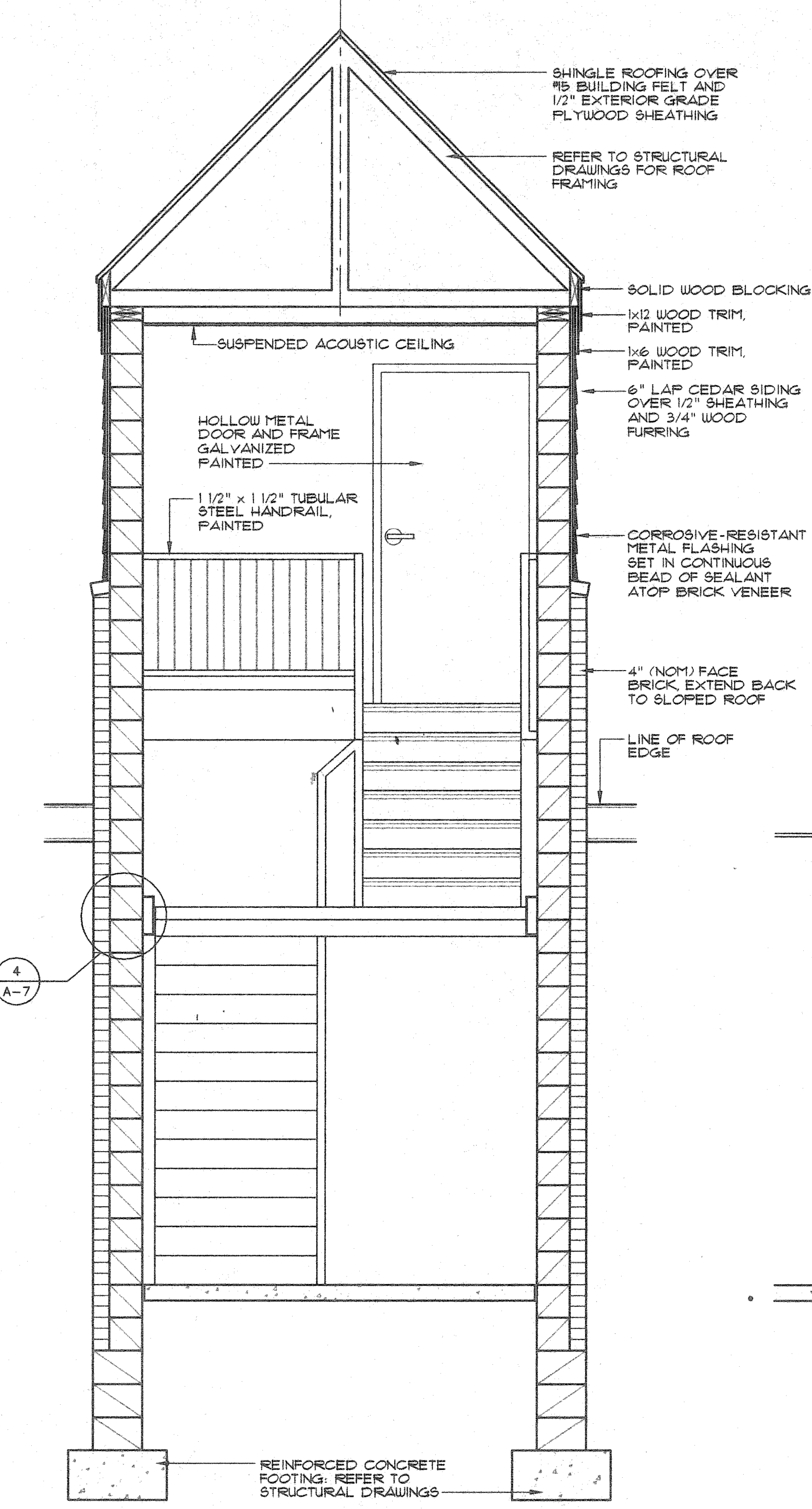
© COPYRIGHT FEINKNOPF MACIOCE SCHAPPA, ARCHITECTS, INC. 1996.

PROJECT #	95062-01	PROJECT MANAGER	DLAB
DATE	7-1-1996	DRAWN BY	MMP
SCALE	AS NOTED (24)	REVIEWED BY	DLAB

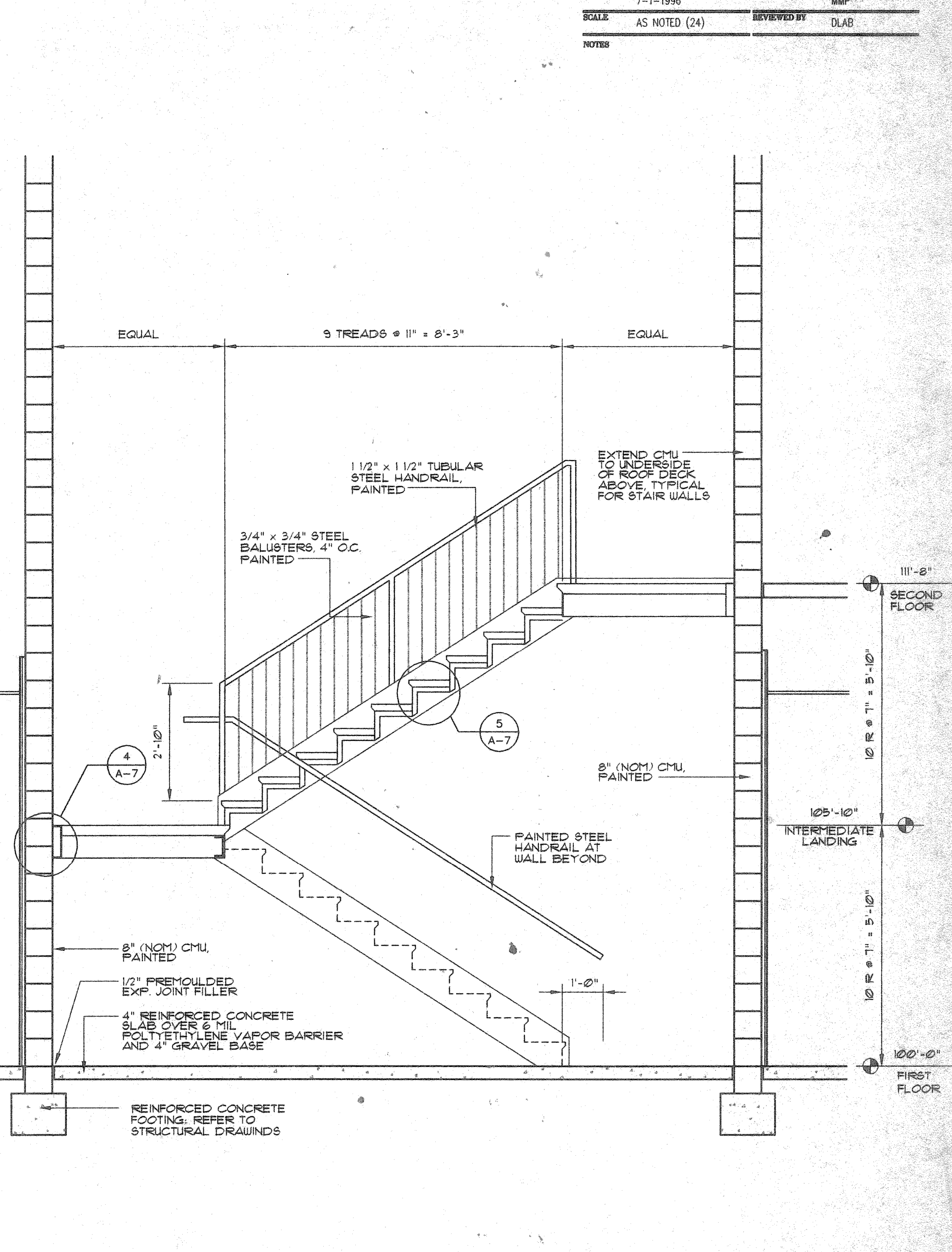
NOTES



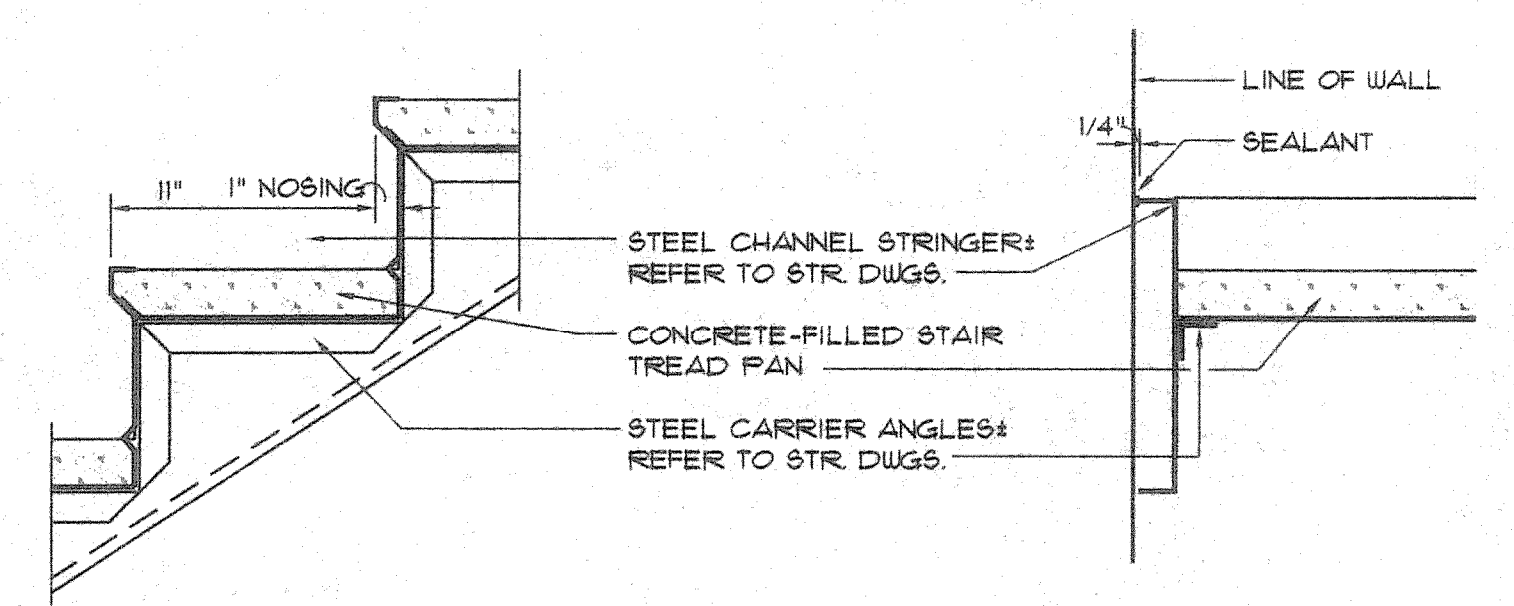
3 STAIR S-1 - LONGITUDINAL SECTION
1/2" = 1'-0"



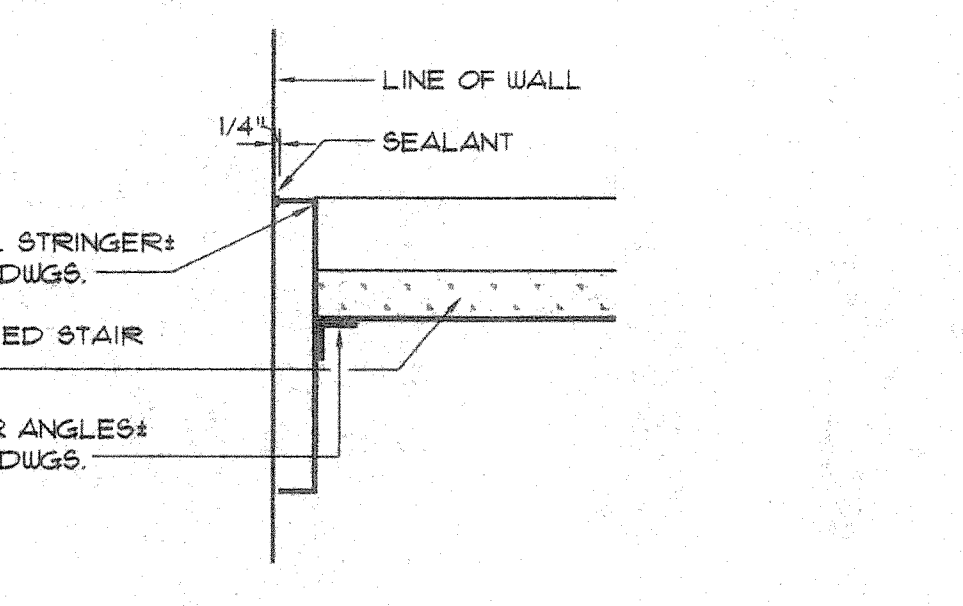
2 STAIR S-1 TRANSVERSE SECTION
1/2" = 1'-0"



1 STAIR S-3
(SECTION OF STAIR S-2 IS SIMILAR)
1/2" = 1'-0"



5 TYPICAL STAIR RISER DETAIL
1 1/2" = 1'-0"



4 STEEL STAIR RISER @ WALL
1 1/2" = 1'-0"

NO.	REVISION DESCRIPTION	DATE

**FEINKNOPF
MACIOCE
SCHAPPA
Architects, Inc.**

274 Marconi Boulevard, Columbus, Ohio 43215
tele (614) 221-3192 fax (614) 221-5601

JOB

JASONWAY MEDICAL
OFFICE BUILDING

SHEET TITLE: STAIR SECTIONS SHEET NO.: A-7