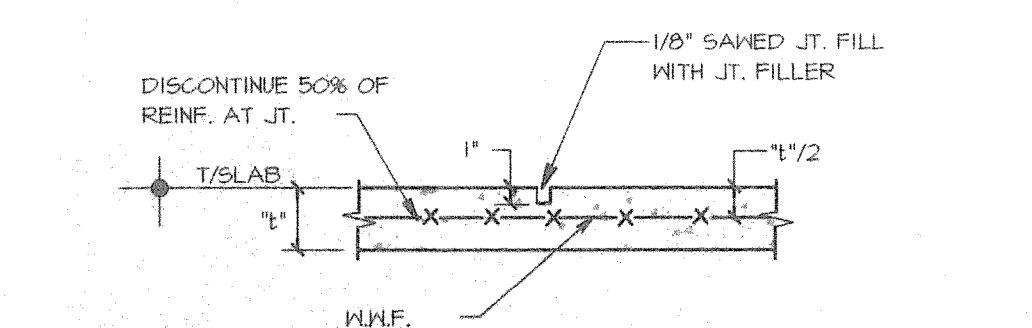




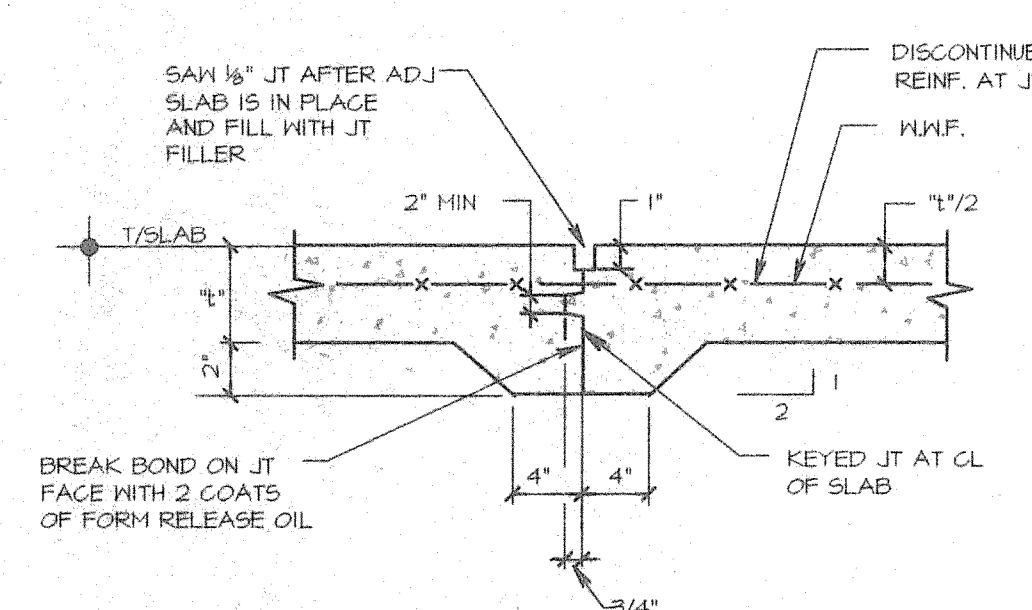
This drawing and the material appearing herein, constitute the original and unpublished work of Feinknopf Macioce Schappa Architects, Inc. and may not be used on any project for any purpose, nor may the same be copied (except by those governmental agencies required by law), or disclosed without written consent of the architect.

© COPYRIGHT FEINKNOPF MACIOCE SCHAPPA, ARCHITECTS, INC. 1998

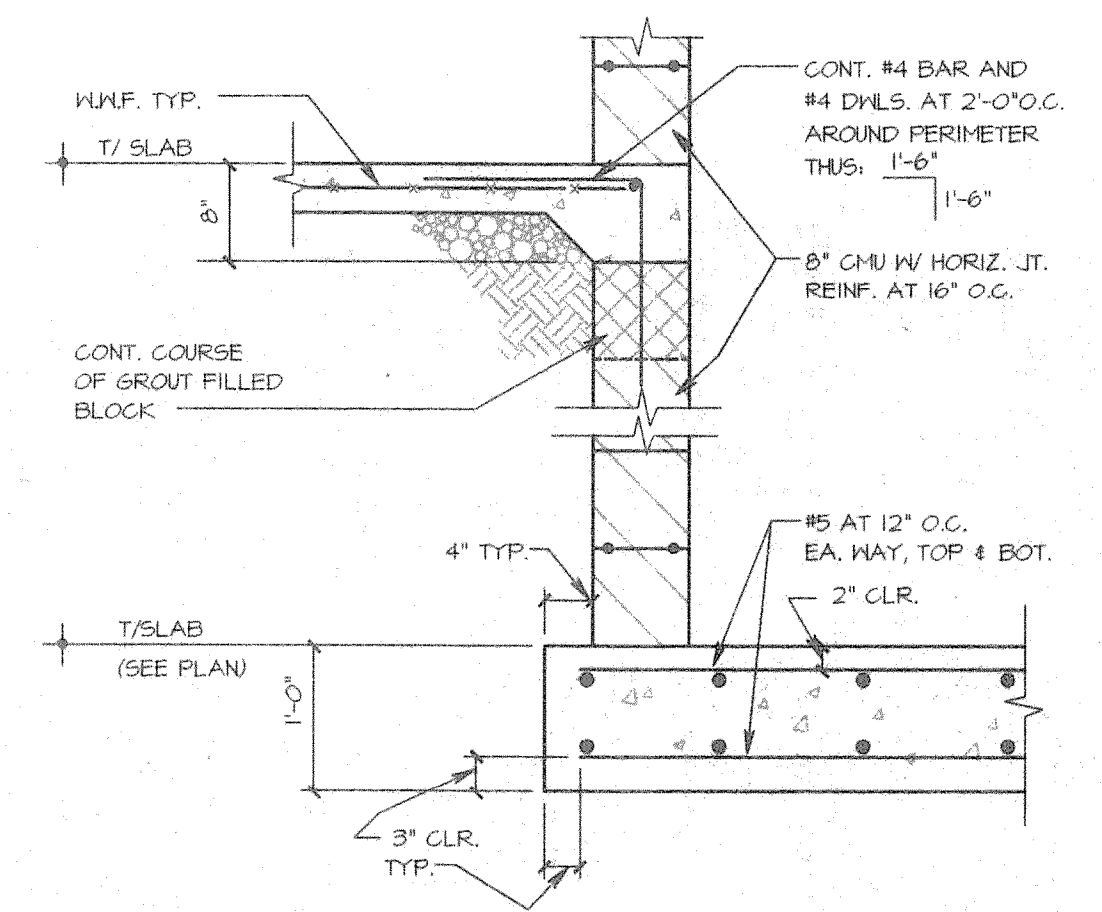
PROJECT #	PROJECT MANAGER
DATE 7-15-98	DRAWN BY
SCALE AS NOTED	REVIEWED BY
NOTES	



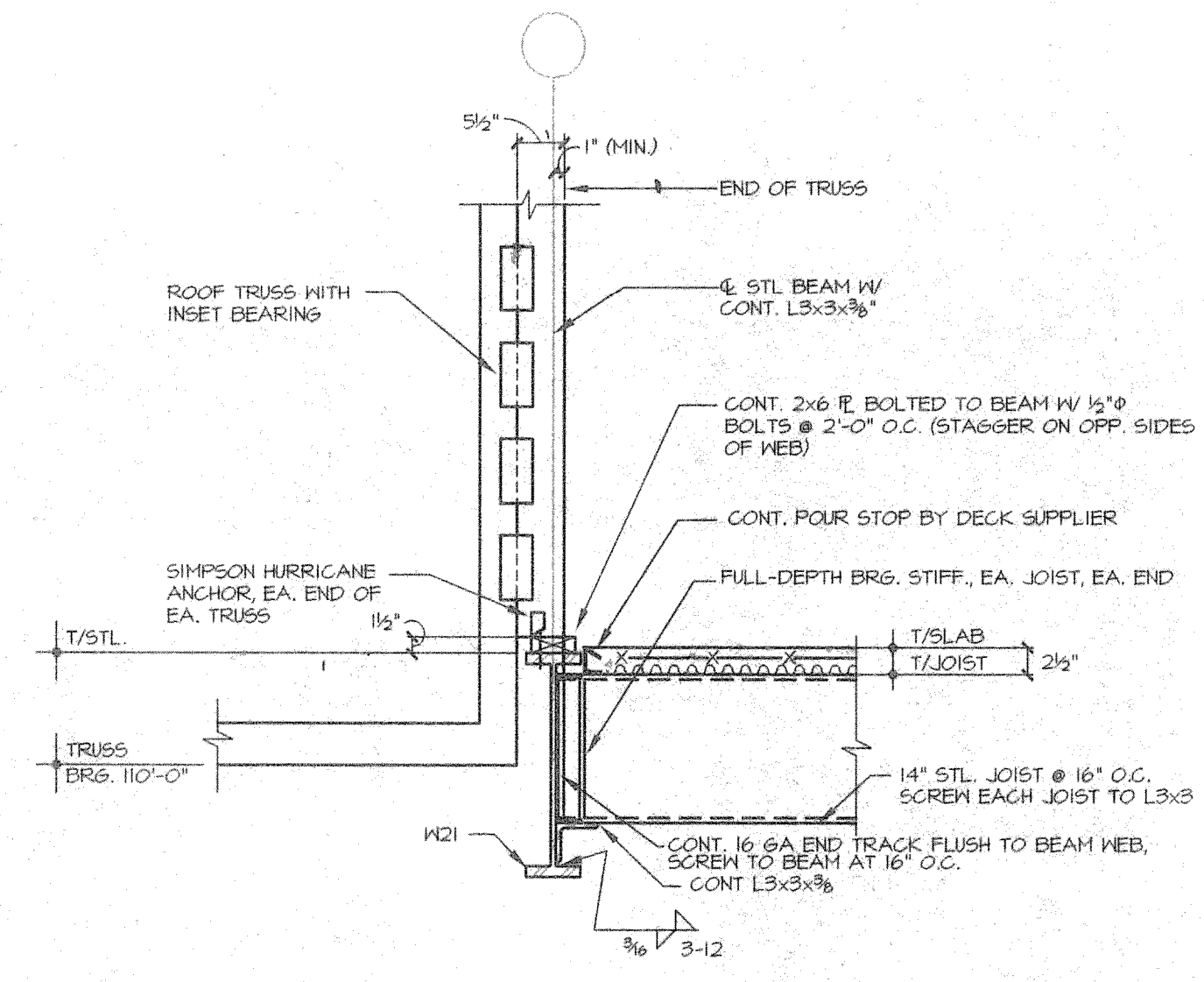
1A TYP. CONTROL JOINT NTS



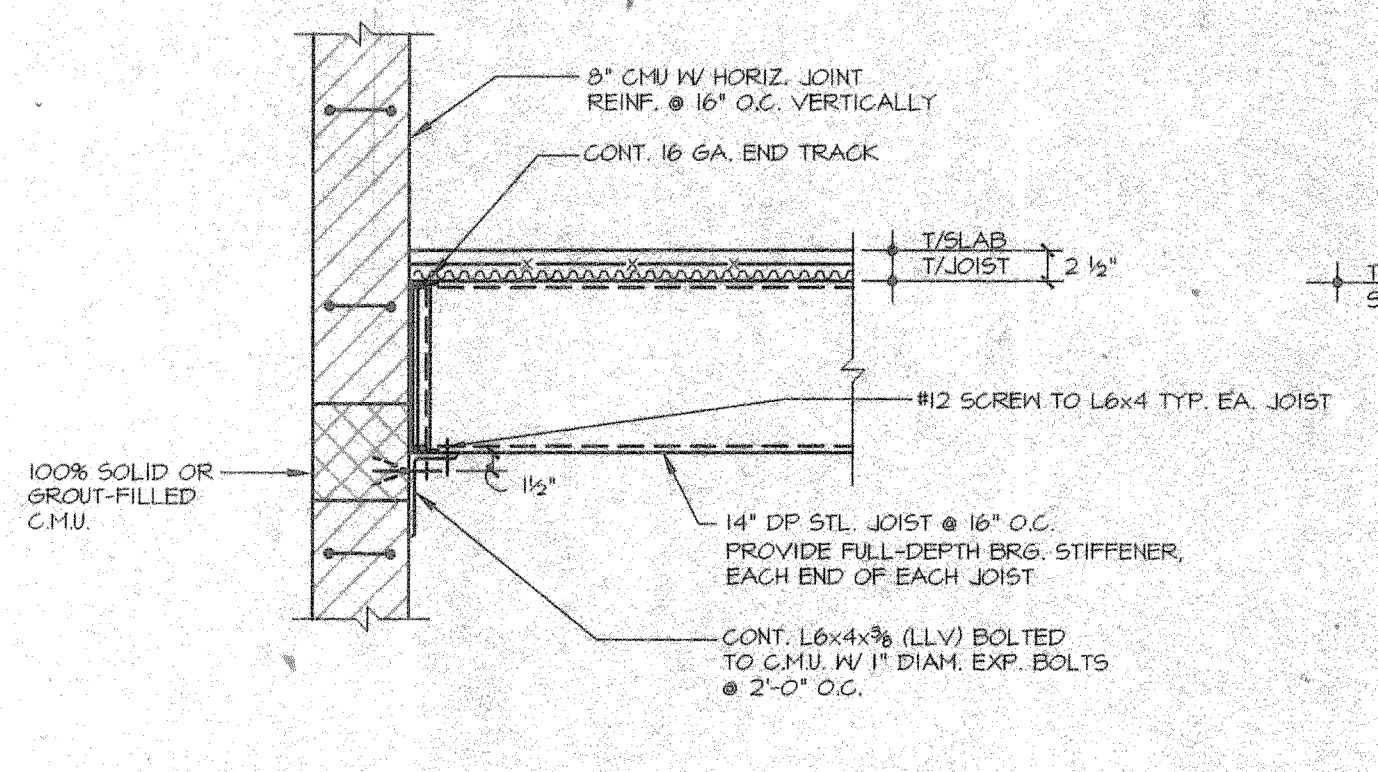
1B TYP. CONSTRUCTION JOINT NTS



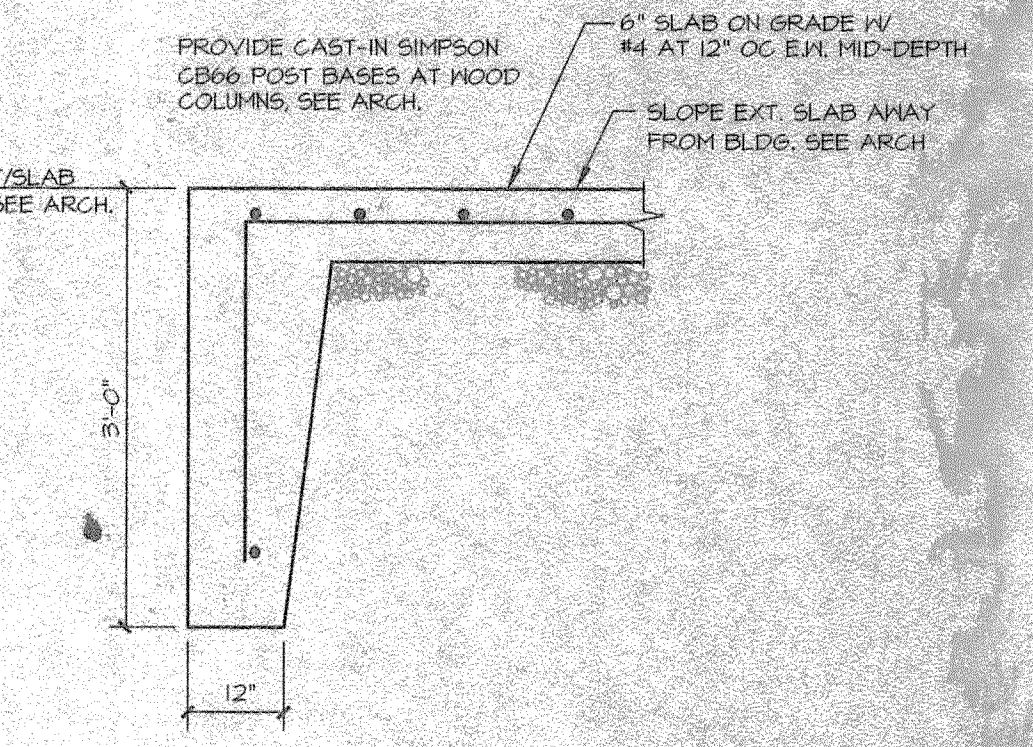
5 SECTION 3/4" = 1'-0"



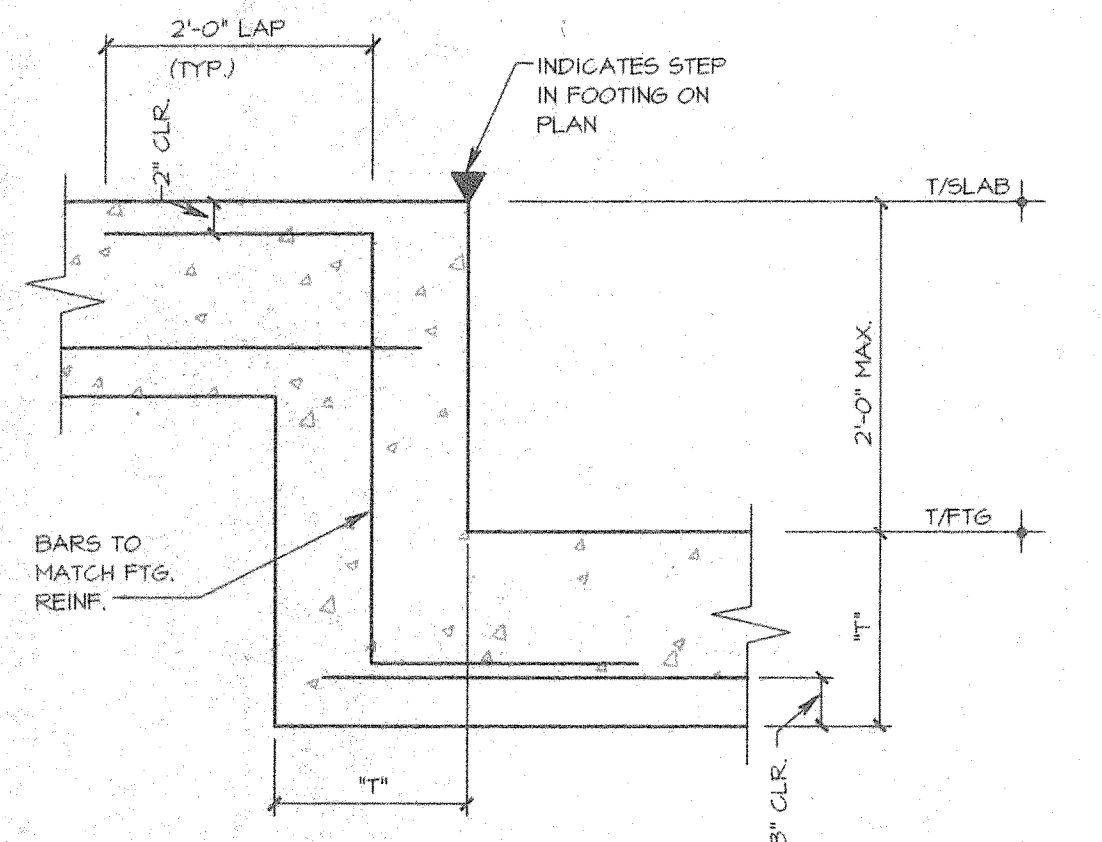
9 SECTION 3/4" = 1'-0"



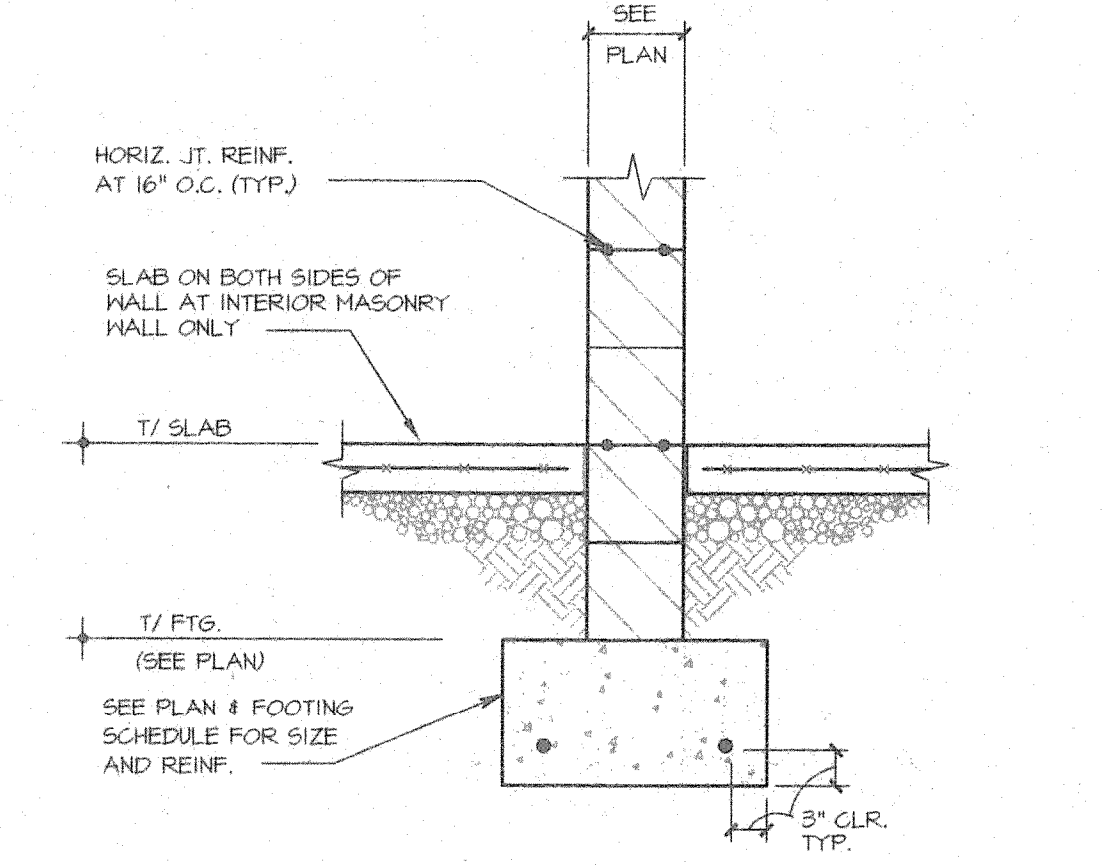
13 SECTION 1" = 1'-0"



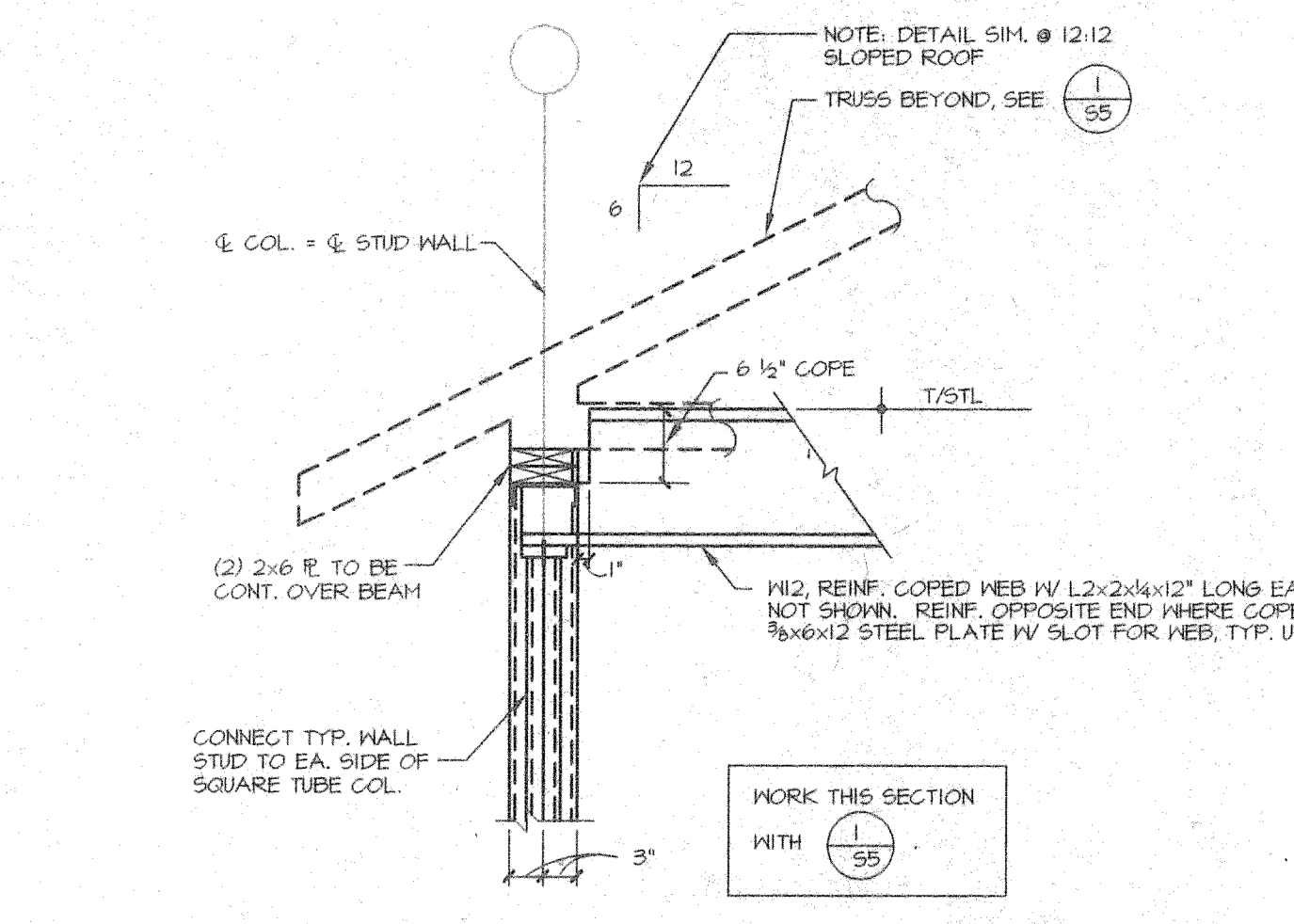
17 SECTION NTS



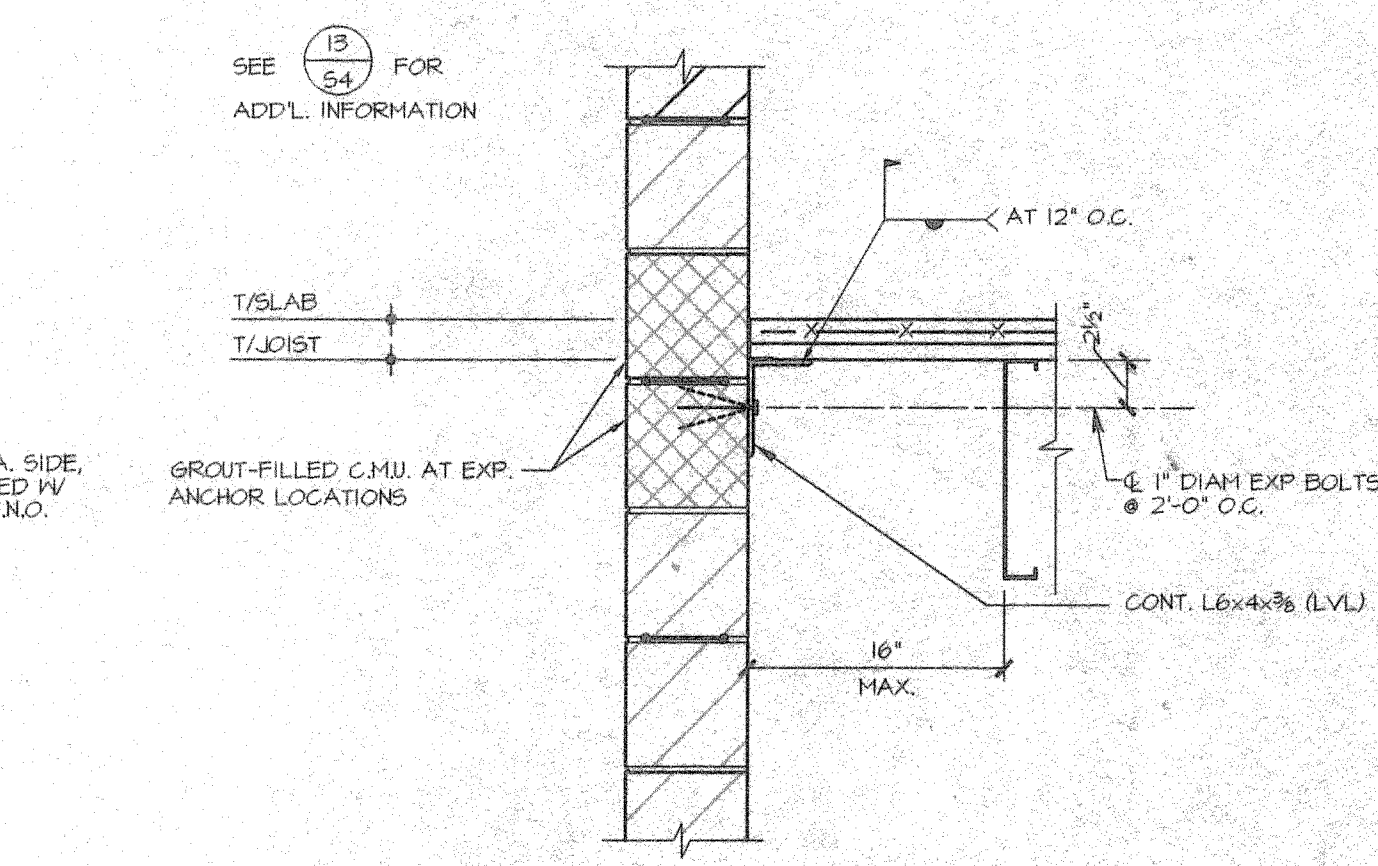
2 TYP. FOOTING STEP NTS



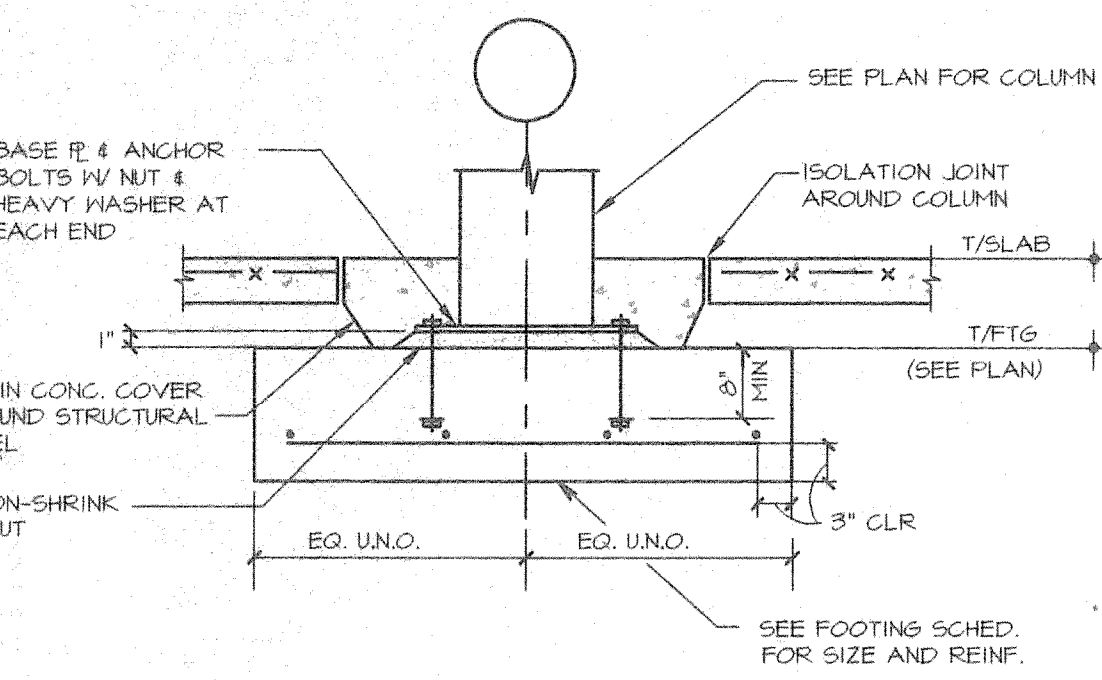
6 SECTION 3/4" = 1'-0"



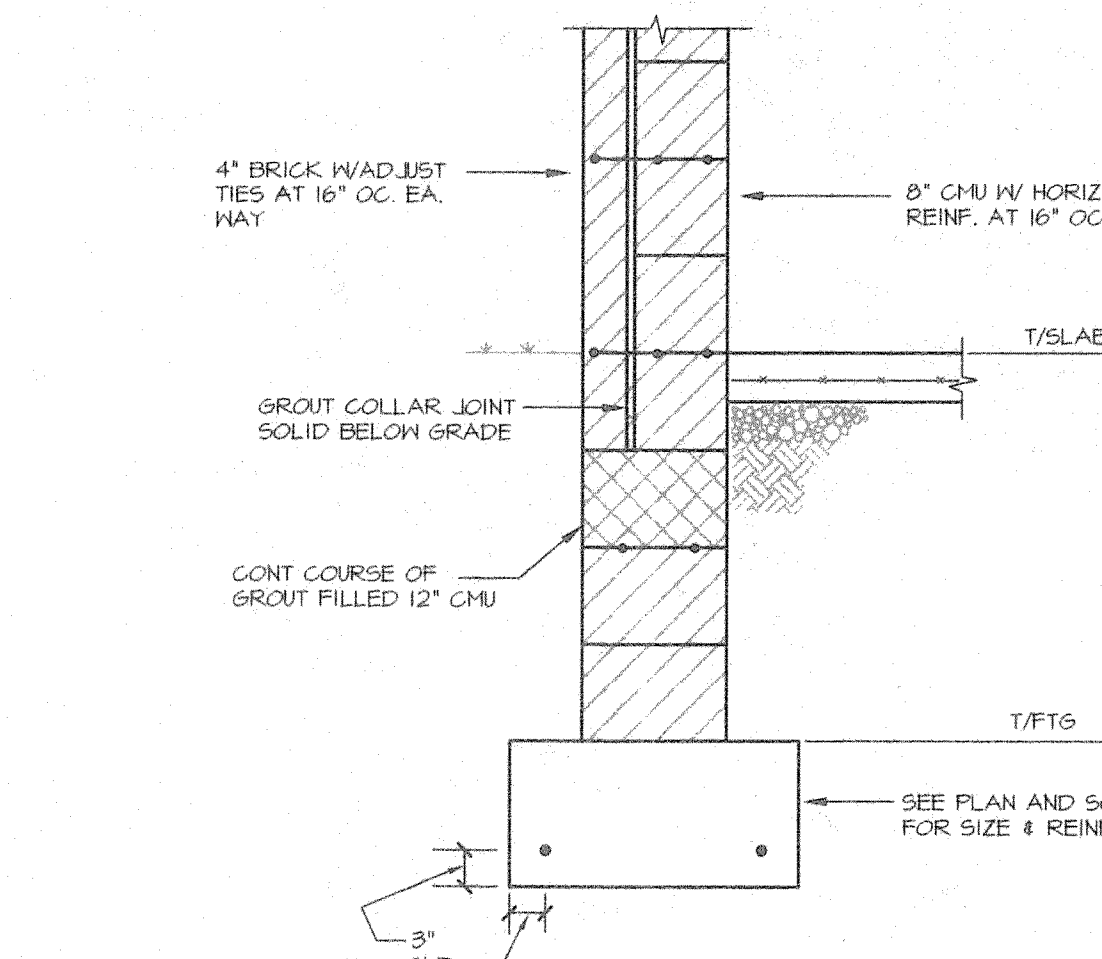
10 SECTION 3/4" = 1'-0"



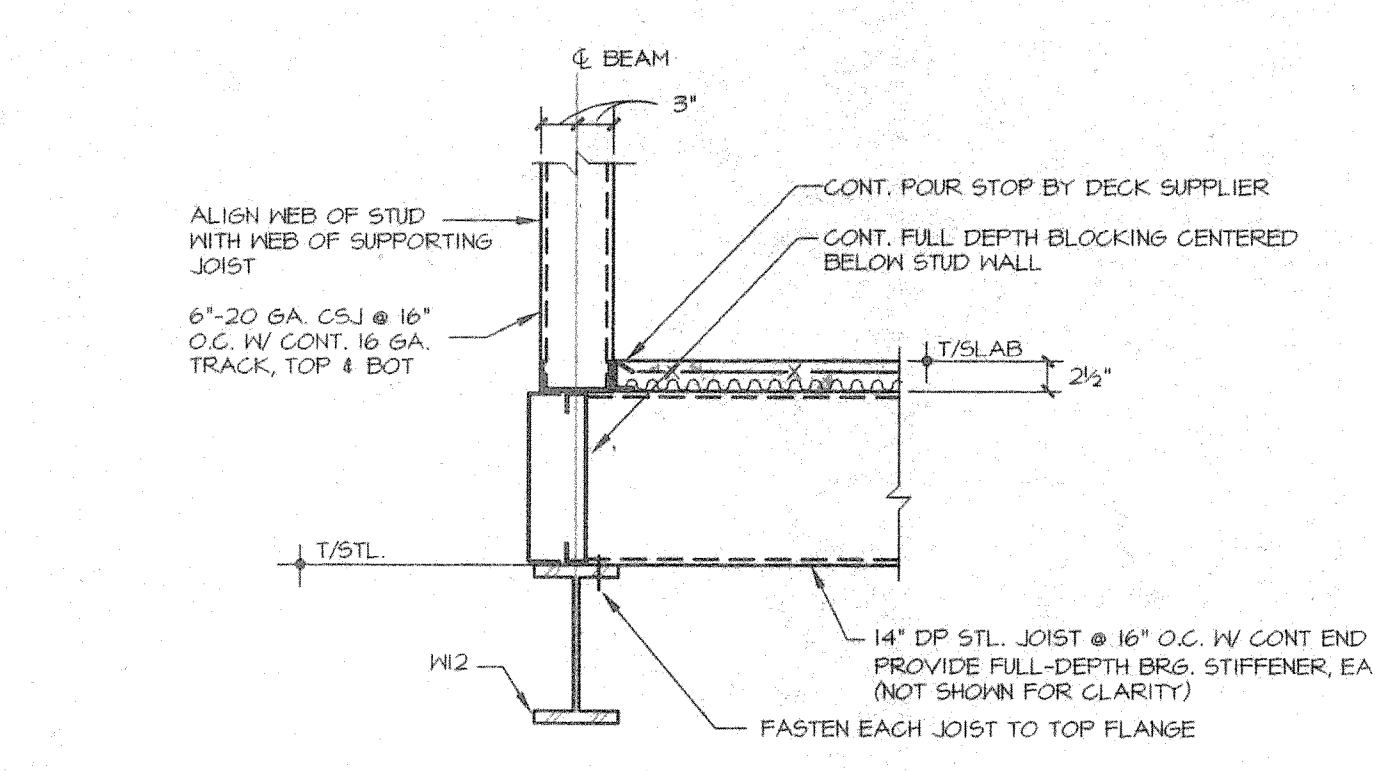
14 SECTION 1" = 1'-0"



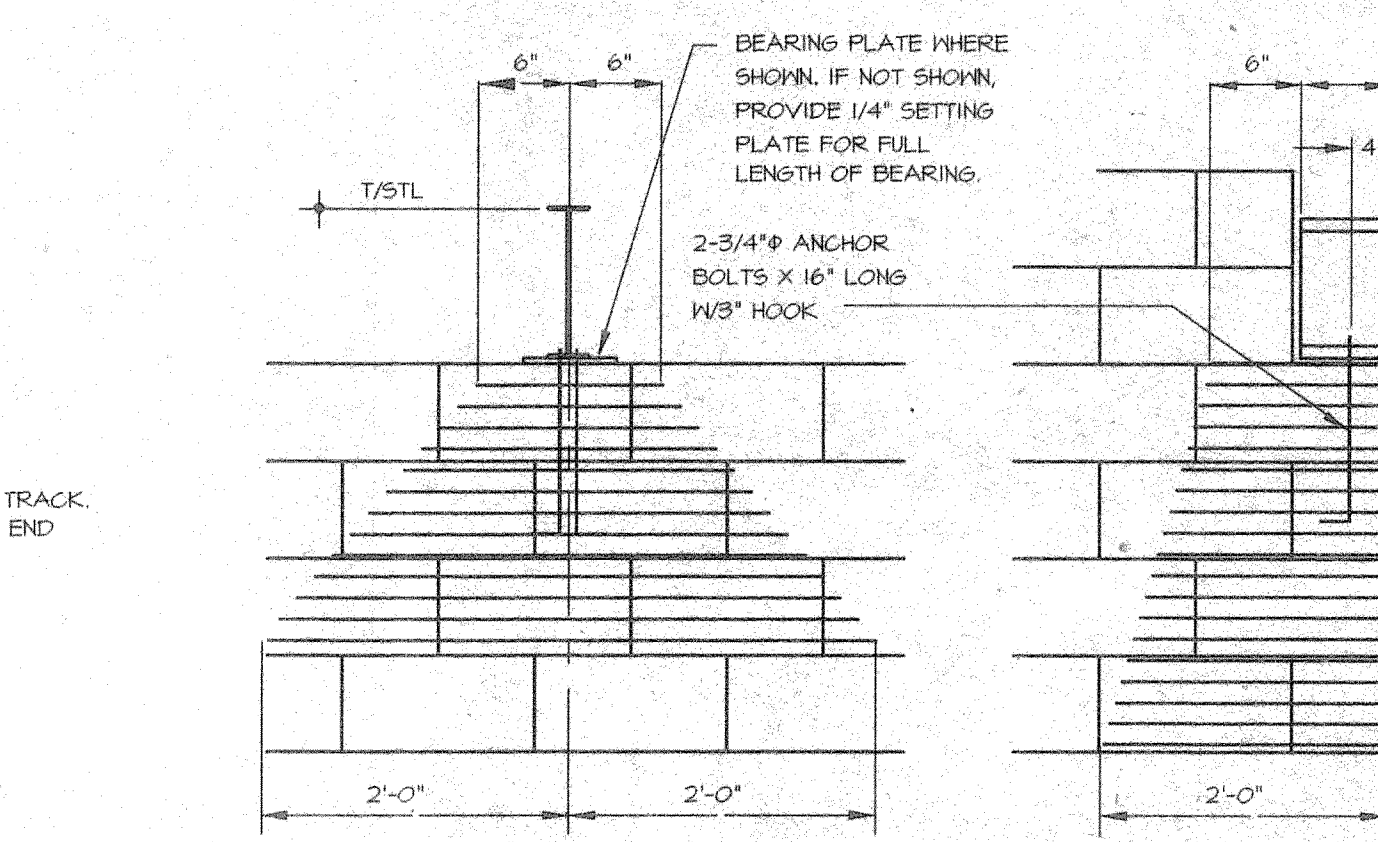
3 SECTION NTS



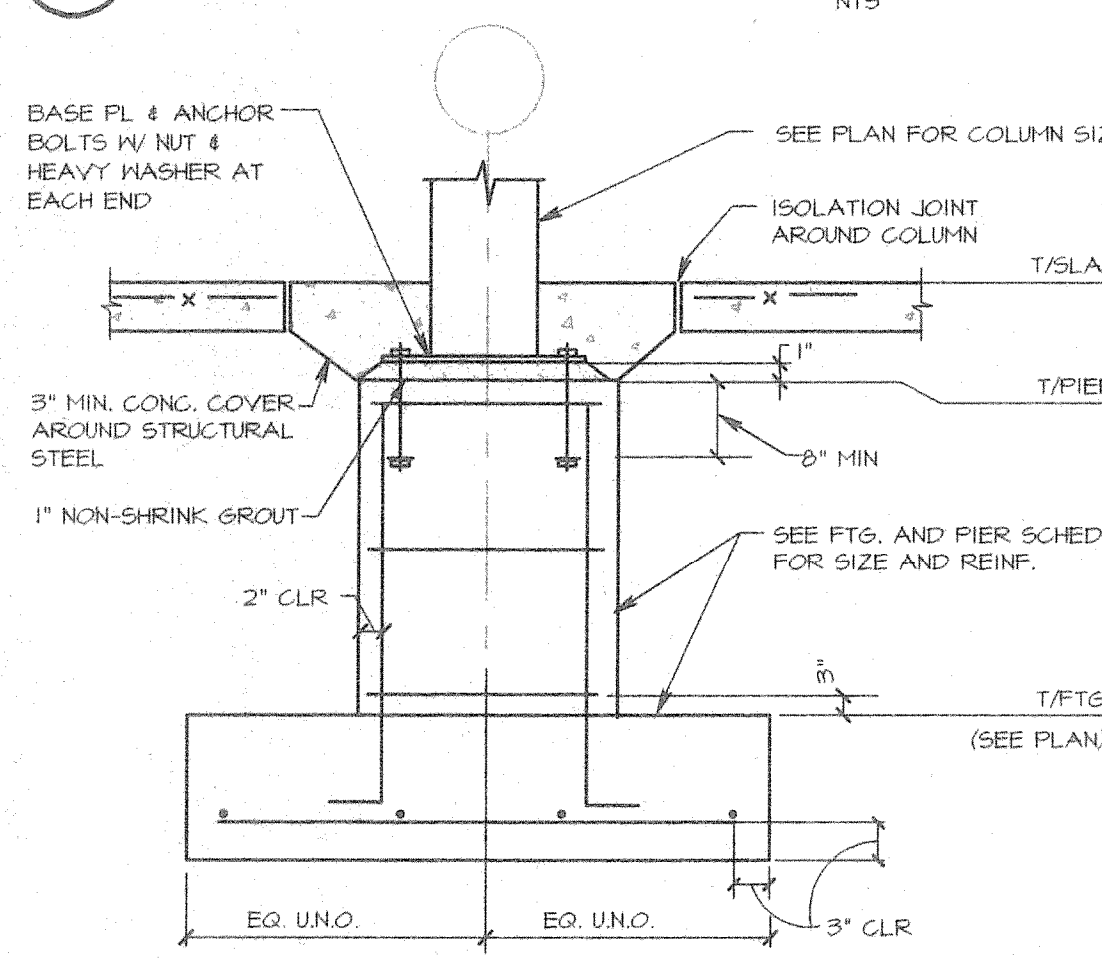
7 SECTION 3/4" = 1'-0"



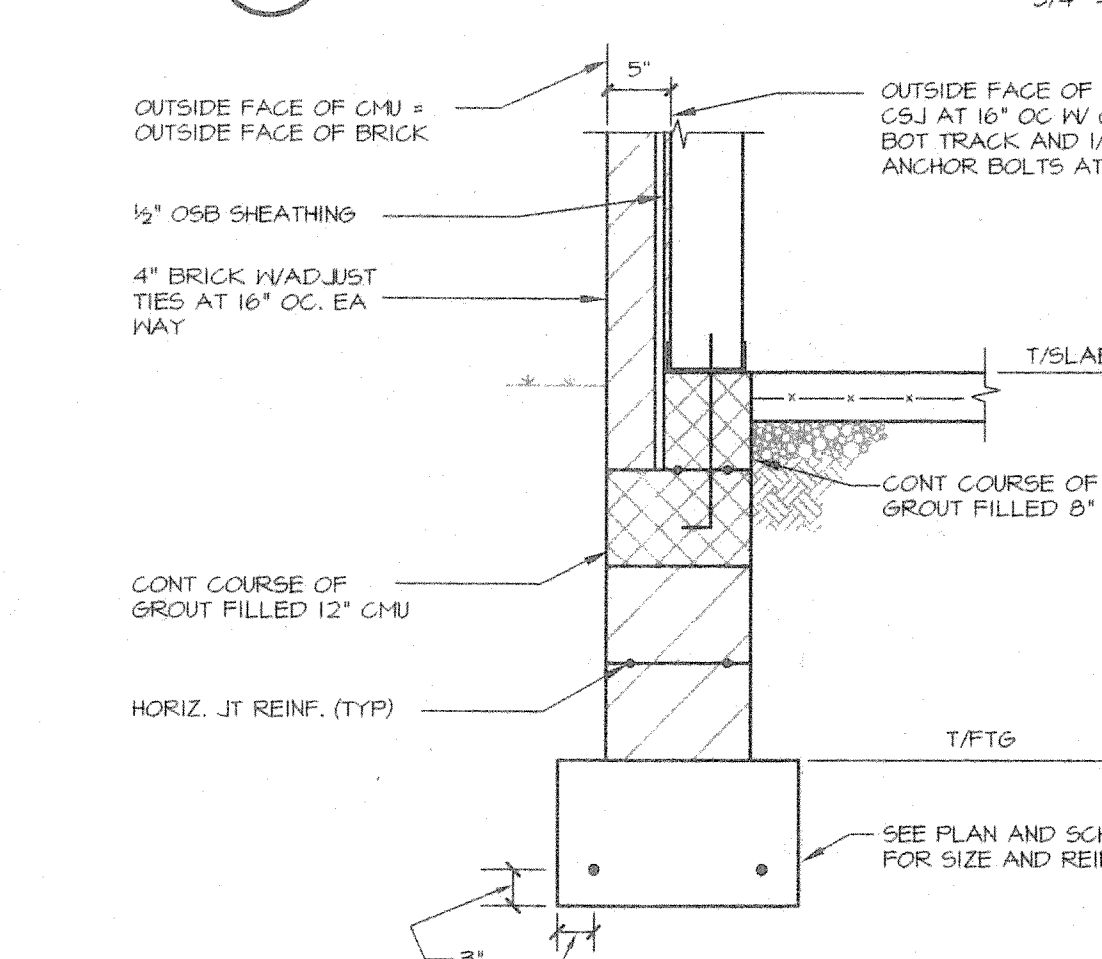
11 SECTION 3/4" = 1'-0"



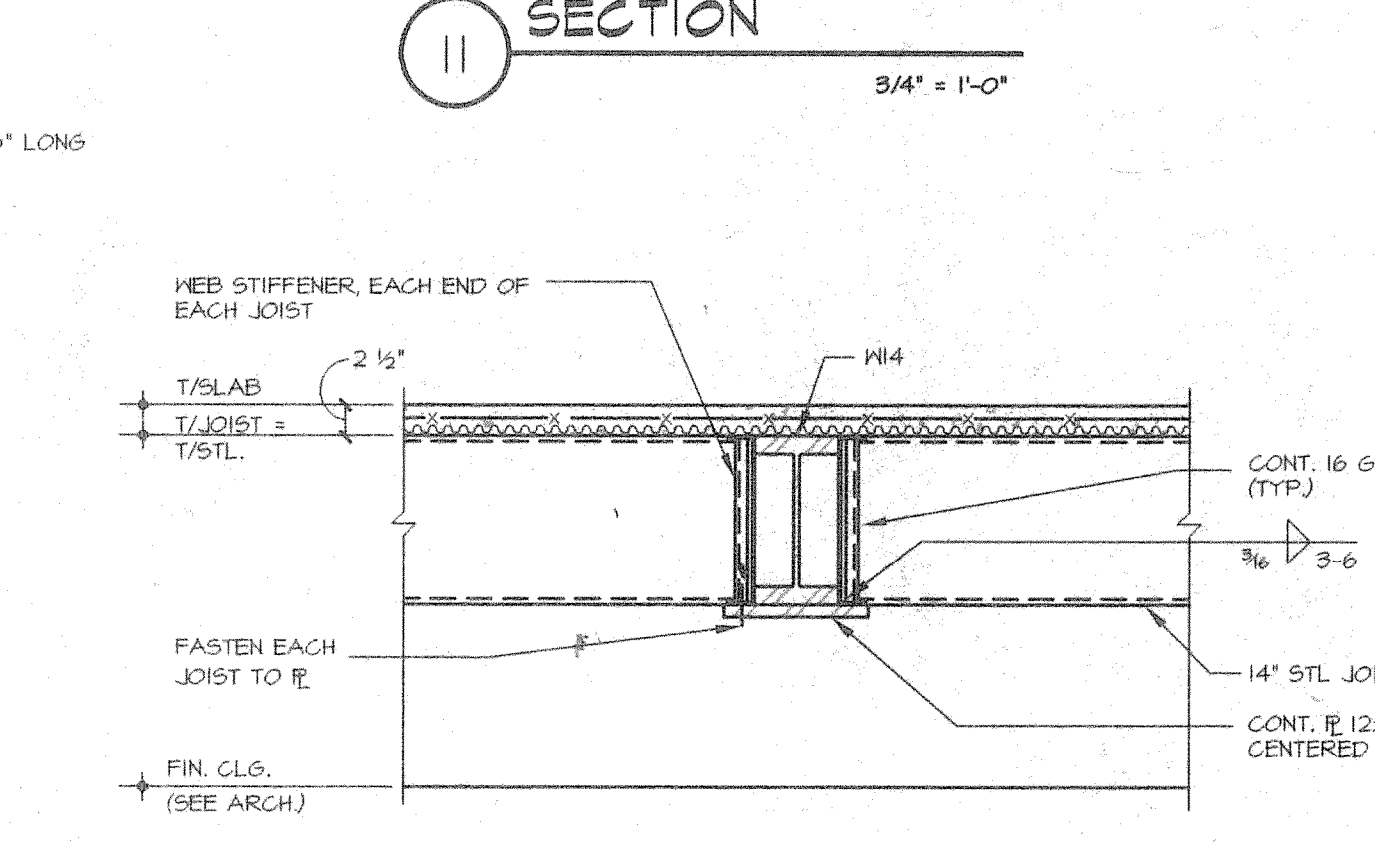
15 TYPICAL MASONRY BEARING NTS



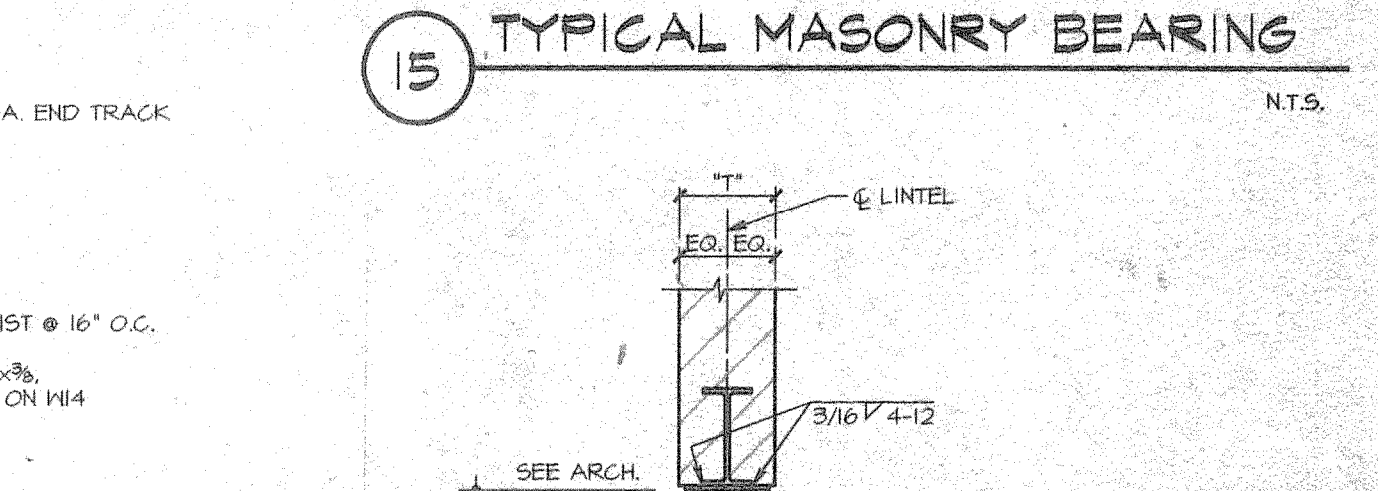
4 SECTION 3/4" = 1'-0"



8 SECTION 3/4" = 1'-0"



12 SECTION 3/4" = 1'-0"



16 SECTION TYPICAL LINTEL IN MASONRY WALL NTS

NO.	REVISION DESCRIPTION	DATE
-----	----------------------	------

**FEINKNOPF
MACIOCE
SCHAPPA
Architects, Inc.**

274 Marconi Boulevard, Columbus, Ohio 43215
tele (614) 221-3192 fax (614) 221-5601

JOB

JASONWAY
MED OFFICE

SHEET TITLE	SHEET NO.
-------------	-----------

SECTIONS 54

