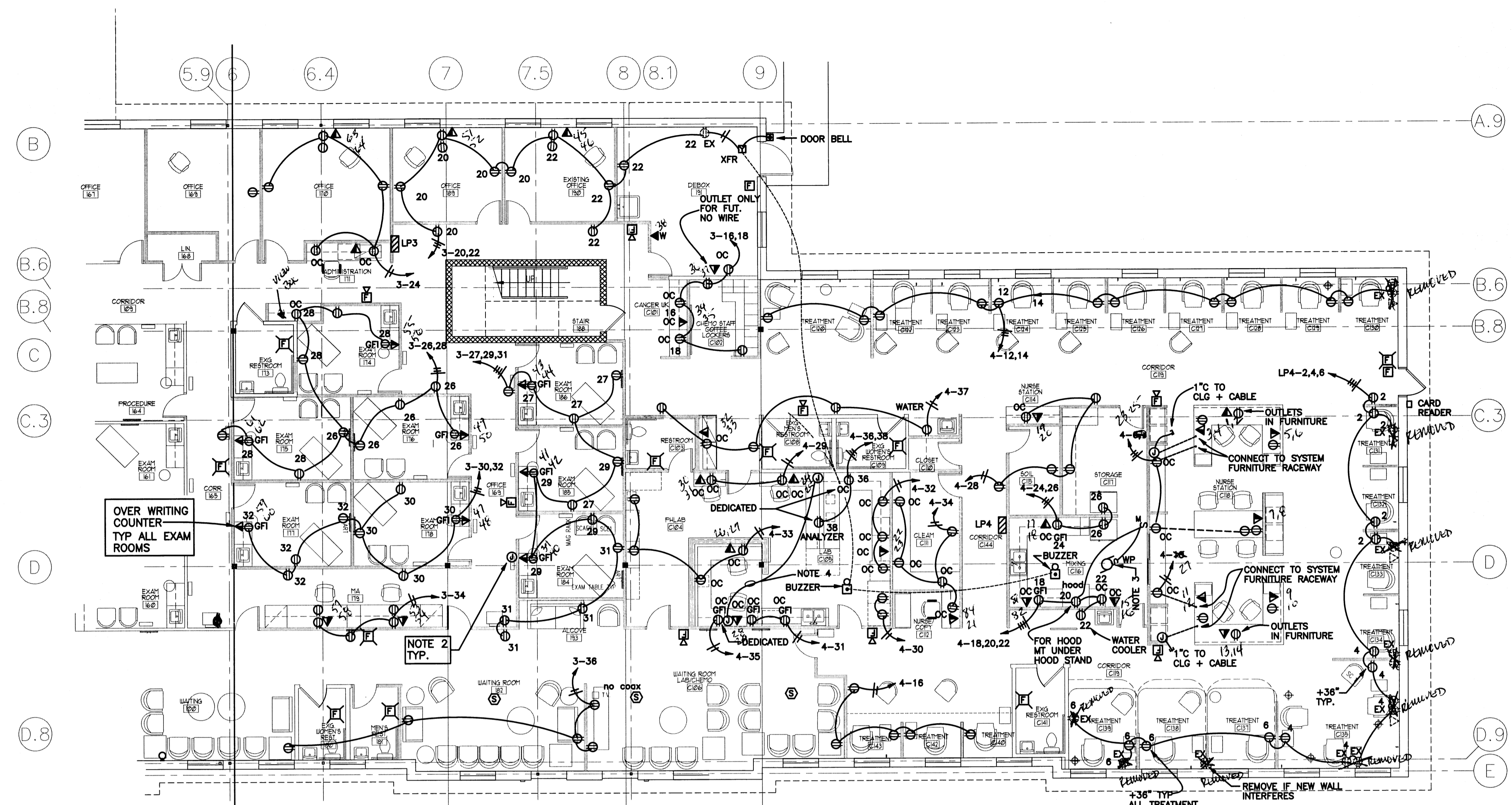


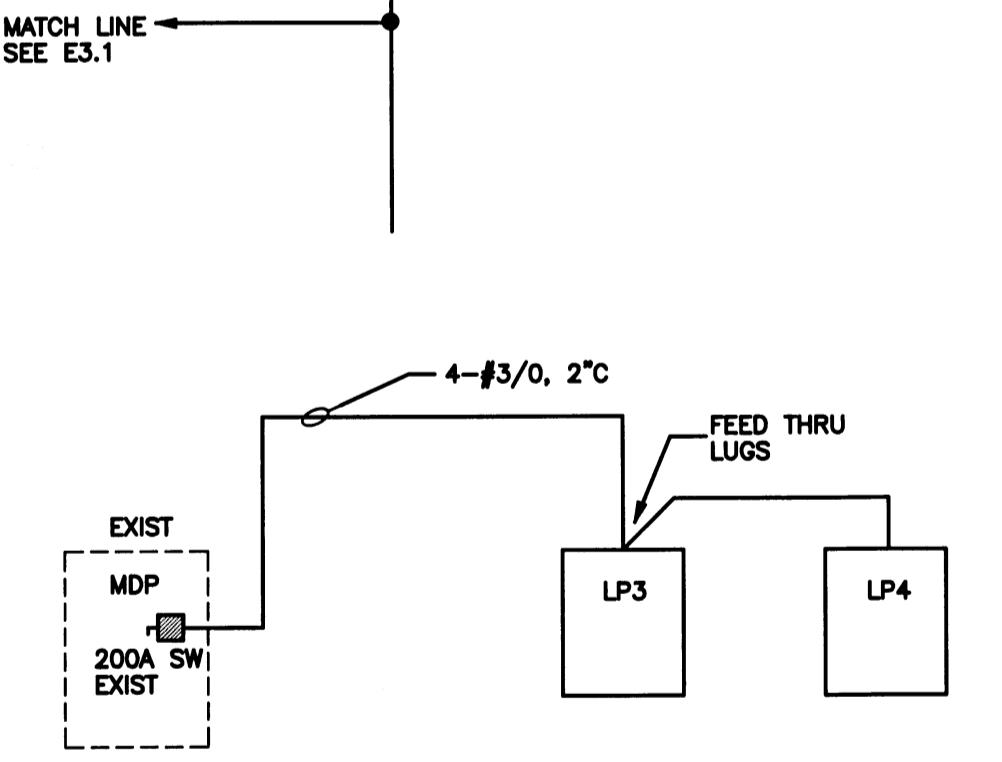
**SYMBOL LEGEND**

- INDICATES ISOLATED GROUNDING CONDUCTOR #12 A.W.G. MIN. - U.O.N.
- HOMERUN TO PANEL A NO. OF SLASHES = QUANTITY OF #12 A.W.G. - U.O.N. #3 AND #5 = CIRCUIT BREAKER NUMBER IN PANEL A
- ARROW ON WIRING BETWEEN OUTLETS INDICATES START OF NEW CIRCUIT. TWO ARROWS WOULD BE TWO CIRCUITS
- SWITCH SINGLE POLE
- SWITCH THREE-WAY
- MANUAL MOTOR STARTER WITH PILOT LIGHT
- INCANDESCENT DIMMER A=600W, B=1,000W, C=1,500W, D=2,000W - MOUNTING AT 48" A.F.F.
- DUPLEX RECEPTACLE MOUNTING AT 18" A.F.F. - VERIFY WITH ARCHITECT BEFORE ROUGH-IN
- DOUBLE DUPLEX RECEPTACLE
- DUPLEX RECEPTACLE - GROUND FAULT INTERRUPTER TYPE MT @ 42" AFF OR 6" ABOVE SINK
- INDICATES THIS RECEPTACLE TO BE MOUNTED AT 36" A.F.F.
- DUPLEX RECEPTACLE ON EMERG CIRCUIT
- DUPLEX RECEPTACLE - ISOLATED GROUND TYPE
- INDICATES THIS RECEPTACLE TO BE WIRED TO PANEL 'A' - CIRCUIT NO. 7 W/ 2#12, 1/2" C
- DUPLEX RECEPTACLE MOUNTING AT 6" ABOVE COUNTER
- QUADRAPLEX - TWO DUPLEX RECEPTACLES
- FLUORESCENT LIGHT FIXTURE TYPE 'A'
- LIGHT FIXTURE - CEILING MOUNTED TYPE 'B'
- LIGHT FIXTURE - WALL MOUNTED TYPE 'C'
- LIGHT FIXTURE DOUBLE SWITCHED
- LIGHT FIXTURE ON EMERGENCY CIRCUIT OR NIGHT LIGHT
- EXIT LIGHT WALL MOUNTED/CEILING MOUNTED
- COMBO EXIT & DUALHEAD EMERG LIGHT W/ (1) REMOTE HEAD
- EMERG BATTERY LIGHT
- CIRCUIT BREAKER PANEL
- UNFUSED DISCONNECT SWITCH - 30 AMPERE - 3 POLE
- FUSED DISCONNECT SWITCH - 30 AMPERE - 3 POLE - 20 AMPERE FUSING
- MAGNETIC MOTOR STARTER
- COMBINATION MAGNETIC MOTOR STARTER WITH FUSED DISCONNECT SWITCH
- TRANSFORMER
- JUNCTION BOX - MOUNTING HEIGHT AND SIZE AS REQUIRED
- WEATHERPROOF
- U.O.N. UNLESS OTHERWISE NOTED
- E.C. ELECTRICAL CONTRACTOR
- 'AC' OR 'OC' ABOVE OR OVER COUNTER
- ETR OR EX EXIST TO REMAIN
- WALL PHONE OUTLET - MOUNTING AT 56" A.F.F. - 3/4" C WITH PULL WIRE TO ABOVE ACCESSIBLE CEILING. CABLE TO BOARD
- DATA OUTLET, 2 GANG BOX W/SINGLE GANG COVER. MOUNTING AT 18" AFF. U.O.N. 3/4" C TO ABOVE ACCESSIBLE CEILING W/PULL JACK. CABLE TO BD OR HUB
- TELEPHONE/DATA OUTLET. MOUNTING AT 18" A.F.F. - 3/4" C TO ABOVE ACCESSIBLE CLG. JACKS AND CABLE TO BOARD/HUB. SEE DWGS (2)4PR CAT5E FROM OUTLET TO SERVER RM. (2)RJ45 JACKS
- FIRE ALARM PULL STATION - VERIFY MOUNTING HEIGHT
- FIRE ALARM HORN WITH FLASHING LIGHT - MOUNTING AT 80" A.F.F. OR 6" BELOW CEILING, WHICHEVER IS LOWER.
- FIRE ALARM FLASHING LIGHT - MOUNT AT 80" A.F.F. OR 6" BELOW CEILING, WHICHEVER IS LOWER.
- FIRE ALARM SMOKE DETECTOR - CEILING MOUNTED - U.O.N.
- FIRE ALARM HEAT DETECTOR - CEILING MOUNTED - U.O.N.
- FIRE ALARM DUCT SMOKE DETECTOR
- SPRINKLER SYSTEM FLOW AND TAMPER SWITCH. CONNECT TO FA SYSTEM.
- SPEAKER CEILING MOUNTED - RECESSED
- SPEAKER CEILING MOUNTED - RECESSED WITH INTEGRAL VOLUME CONTROL



**POWER PLAN - EAST**  
SCALE: 1/8"=1'-0"

NOTE: CLG IS AIR PLENUM. ALL EXPOSED CABLE TO BE FIRE RATED



**PARTIAL ONE LINE DIAGRAM**  
N.T.S.

- NOTES:**
- MOUNT ALL OUTLETS AT DESKS IN OPEN KNEE SPACES. SEE ARCH ELEVATIONS.
  - PROVIDE JBOX AND 1/2" C UP TO CLG SPACE FOR PATIENT RM INDICATION (OR PAGING). VERIFY MTO HT W/GC (EITHER 48" OR 54"). SYSTEM INSTALLED BY OTHERS. PROVIDE FOR EACH EXAM ROOM TYP.
  - CONNECT NEW EF HOOD INTO EXIST SW ON HOOD TO TURN ON EF.
  - PROVIDE J-BOXES OVER COUNTER & 1" C BETWEEN FOR INTERCONNECTION OF EQUIP. TAG.

**PANEL MATCHES PRINT**

PANELBOARD DESIGNATION: LP3 LOCATION: \_\_\_\_\_ MOUNTING: FLUSH X SURFACE \_\_\_\_\_  
 VOLTAGE: 208/120 PH. 3 WIRE: 4 M.C.B. FED FROM: TOP X BOTTOM \_\_\_\_\_  
 AMPS: 225 M.L.O. X M.C.B. AMPS SPECIAL \_\_\_\_\_

NO.	DESCRIPTION	LTG.	REC.	MISC.	A	B	C	MISC.	REC.	LTG.	DESCRIPTION	NO.
1	LTG	1.4								1.2	REC	2
3	LTG	1.3								1.2	REC	4
5	LTG	1.5								1.2	REC	6
7	LTG	1.1								1.2	REC	8
9	LTG	1.0								1.2	REC	10
11	LTG	1.4								1.2	REC	12
13	LTG	1.2								1.2	REC	14
15	LTG	1.0								1.2	REC	16
17	SPARE									1.2	REC	18
19	SPARE									1.2	REC	20
21	SPARE									1.2	REC	22
23	SPARE									1.2	REC	24
25	SPARE									1.2	REC	26
27	REC									1.2	REC	28
29	REC									1.2	REC	30
31	REC									1.2	REC	32
33	SPARE									1.2	REC	34
35	SPARE									1.2	REC	36
37	SPARE										SPARE	38
39	SPARE										SPARE	40
41	SPARE										SPARE	42
KVA SUB TOTALS		9								20		
CON'D LOAD KVA		29										
DEMAND LOAD KVA		20										
DEMAND AMPERES		60										

NOTE: ALL BREAKERS 20A, UNLESS OTHERWISE NOTED. ALL BRKS FEEDING MECH UNITS SHALL BE HACR TYPE

**PANEL MATCHES PRINT**

PANELBOARD DESIGNATION: LP4 LOCATION: \_\_\_\_\_ MOUNTING: FLUSH X SURFACE \_\_\_\_\_  
 VOLTAGE: 208/120 PH. 3 WIRE: 4 M.C.B. FED FROM: TOP X BOTTOM \_\_\_\_\_  
 AMPS: 225 M.L.O. X M.C.B. AMPS SPECIAL \_\_\_\_\_

NO.	DESCRIPTION	LTG.	REC.	MISC.	A	B	C	MISC.	REC.	LTG.	DESCRIPTION	NO.
1	LTG	1.0								1.2	REC	2
3	LTG	1.3								1.2	REC	4
5	LTG	1.4								1.2	REC	6
7	LTG	1.2								1.2	REC	8
9	LTG	1.0								1.2	REC	10
11	LTG	1.2								1.2	REC	12
13	LTG	1.2								1.2	REC	14
15	SPARE									1.2	REC	16
17	SPARE									1.2	REC	18
19	SPARE									1.2	REC	20
21	SPARE									1.2	REC	22
23	SPARE									1.2	REC	24
25	SPARE									1.2	REC	26
27	SPARE									1.2	REC	28
29	REC									1.2	REC	30
31	REC									1.2	REC	32
33	REC									1.2	REC	34
35	REC									1.2	REC	36
37	REC									1.2	REC	38
39	SPARE										SPARE	40
41	SPARE										SPARE	42
KVA SUB TOTALS		7	6							24		
CON'D LOAD KVA		37										
DEMAND LOAD KVA		28										
DEMAND AMPERES		78										

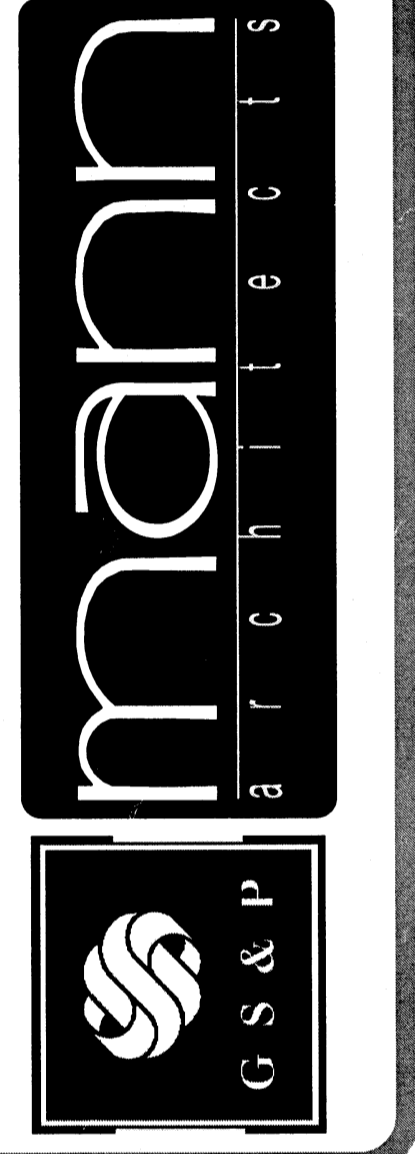
NOTE: ALL BREAKERS 20A, UNLESS OTHERWISE NOTED. ALL BRKS FEEDING MECH UNITS SHALL BE HACR TYPE

23, 25, 27 CIRCUIT SIZE (6) WAS DUB. SO WE MOVE TO 23, 25, 27

DON'T USE FOR FIRE ALARM USE ALARM PRINT.

revisions

3660 embassy parkway  
akron, ohio 44333  
tel. 330.666.5770  
fax. 330.666.8812  
www.mann-architects.com



drawing POWER PLAN - EAST scale 1/8"=1'-0"  
 project no. 11406 date OCTOBER 23, 2007 AS NOTED  
**COLUMBUS ONCOLOGY**  
 JASONWAY PROFESSIONAL BUILDING  
 510 JASONWAY AVENUE SUITE A  
 COLUMBUS, OHIO 43214-2329

