

This drawing and the material appearing herein, constitute the original and unpublished work of Feinknopf Macioce Schappa Architects, Inc. and may not be used on any project for any purpose, nor may the same be copied (except by those governmental agencies required by law), or disclosed without written consent of the architect.

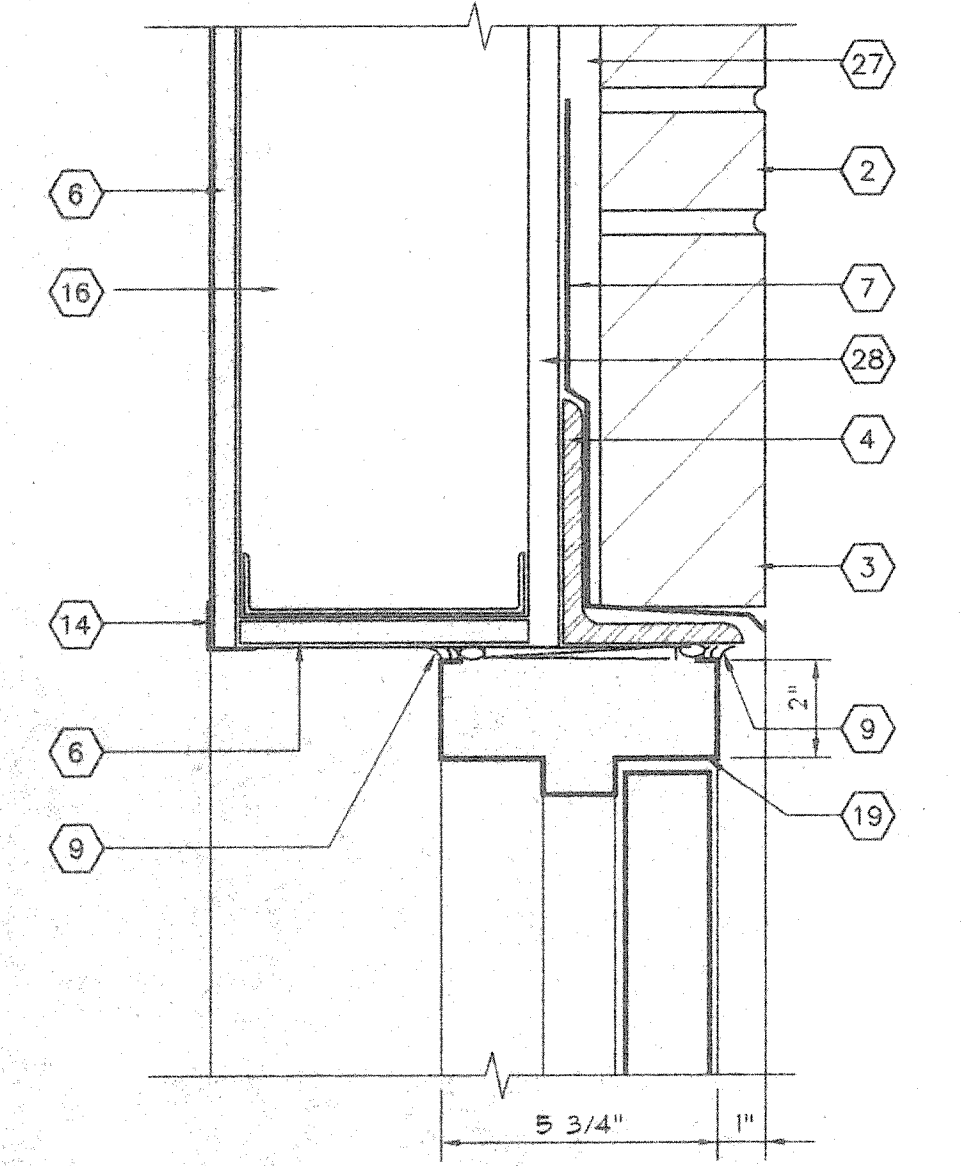
© COPYRIGHT FEINKNOPF MACIOCE SCHAPPA, ARCHITECTS, INC. 1996

PROJECT #	95062-01	PROJECT MANAGER	DLAB
DATE	7-11-1996	DRAWN BY	CL
SCALE	AS NOTED	REVIEWED BY	DLAB
NOTES			

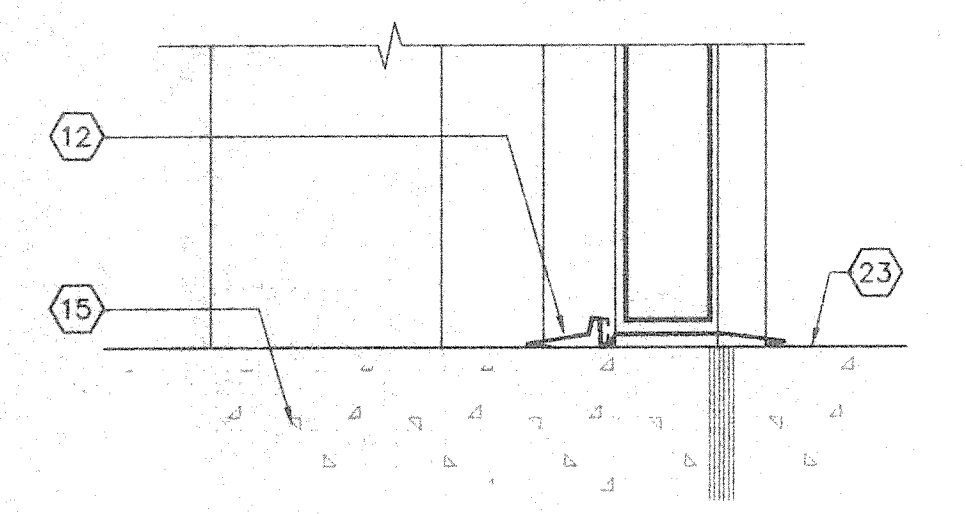
DOOR SCHEDULE									
DOOR		FRAME							
MARK	W	H	T	MAT	ELEV	HEAD	JAMB	THRESH	MAT
A	FR 3'-0"	x 7'-0"	x 1 3/4"	ALUM/GL	A	7	10	8	ALUM
B	FR 3'-0"	x 7'-0"	x 1 3/4"	ALUM/GL	A	2	10	8	ALUM
C	FR 3'-0"	x 7'-0"	x 1 3/4"	ALUM/GL	A	7	10	8	ALUM
D	3'-0"	6'-8"	1 3/4"	HM	C	13	13 (S/M)	14	HM
E	3'-0"	6'-8"	1 3/4"	1 3/4"	C	6	6 (S/M)	N/A	HM
F	3'-0"	6'-8"	1 3/4"	1 3/4"	C	1	1 (S/M)	N/A	HM
G	BY ELEVATOR MANUFACTURER								

DOOR/WINDOW DETAIL NOTES:

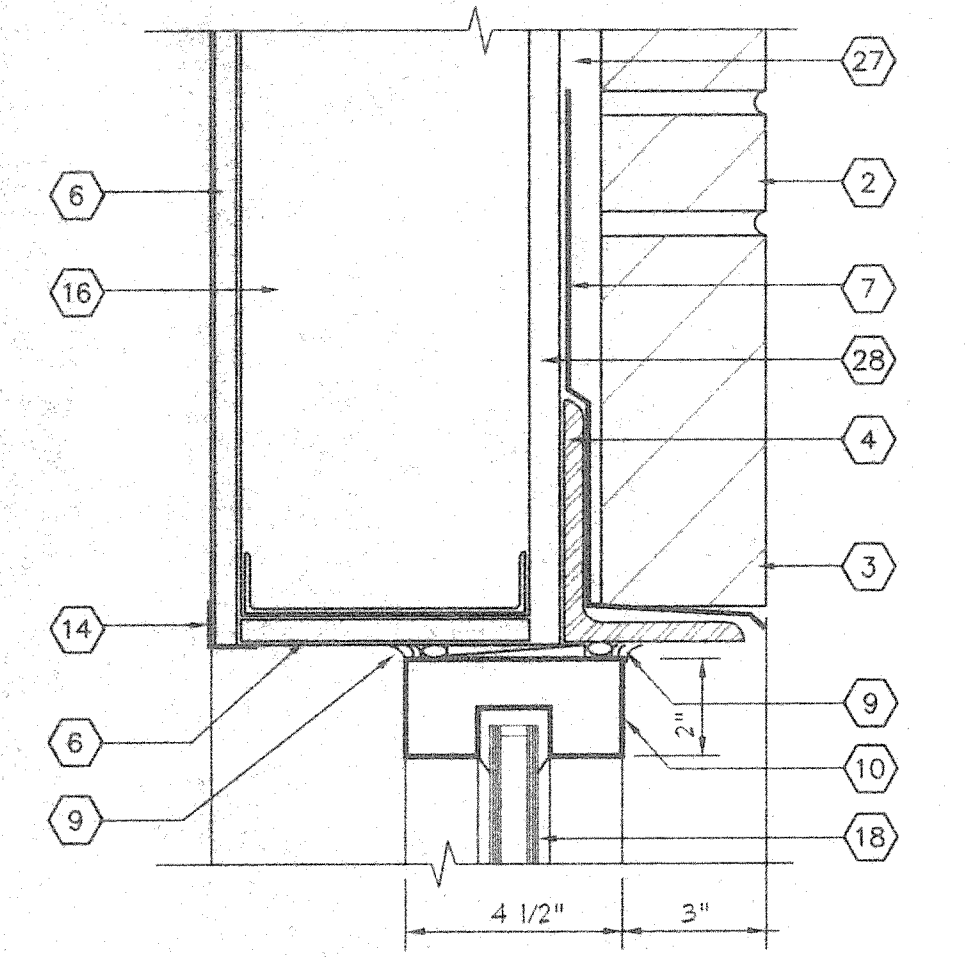
- 1 8" x 8" x 16" (NOMINAL) CONCRETE MASONRY
- 2 4" (NOMINAL) FACE BRICK
- 3 SOLDIER COURSE
- 4 STEEL LINTEL: REFER ALSO TO STRUCTURAL DRAWINGS
- 5 3-5/8" METAL STUDS
- 6 5/8" GYPSUMBOARD
- 7 CORROSION-RESISTANT METAL FLASHING
- 8 CONTINUOUS WOOD BLOCKING
- 9 SEALANT WITH COMPRESSIBLE BACKER ROD
- 10 ALUMINUM FRAMING SYSTEM
- 11 ALUMINUM ENTRANCE DOOR
- 12 ALUMINUM THRESHOLD, SET IN CONTINUOUS BEAD OF SEALANT
- 13 NOT USED
- 14 GALVANIZED METAL CORNER BEAD
- 15 REINFORCED CONCRETE SLAB
- 16 6" METAL STUD W/ R-19 FIBERGLASS BATT INSULATION
- 17 NOT USED
- 18 1" INSULATIVE GLASS
- 19 HOLLOW-METAL FRAME (GROUTED SOLID MASONRY CONSTRUCTION)
- 20 1/8" METAL FURRING
- 21 1/2" PREMOULDED EXPANSION JOINT FILLER
- 22 GALVANIZED METAL CASING BEAD
- 23 EXTERIOR PAVING SURFACE
- 24 1/2" SOLID SURFACE WINDOW STOOL
- 25 FROULOCK COURSE
- 26 NOT USED
- 27 1/8" AIR SPACE
- 28 1/2" SHEATHING



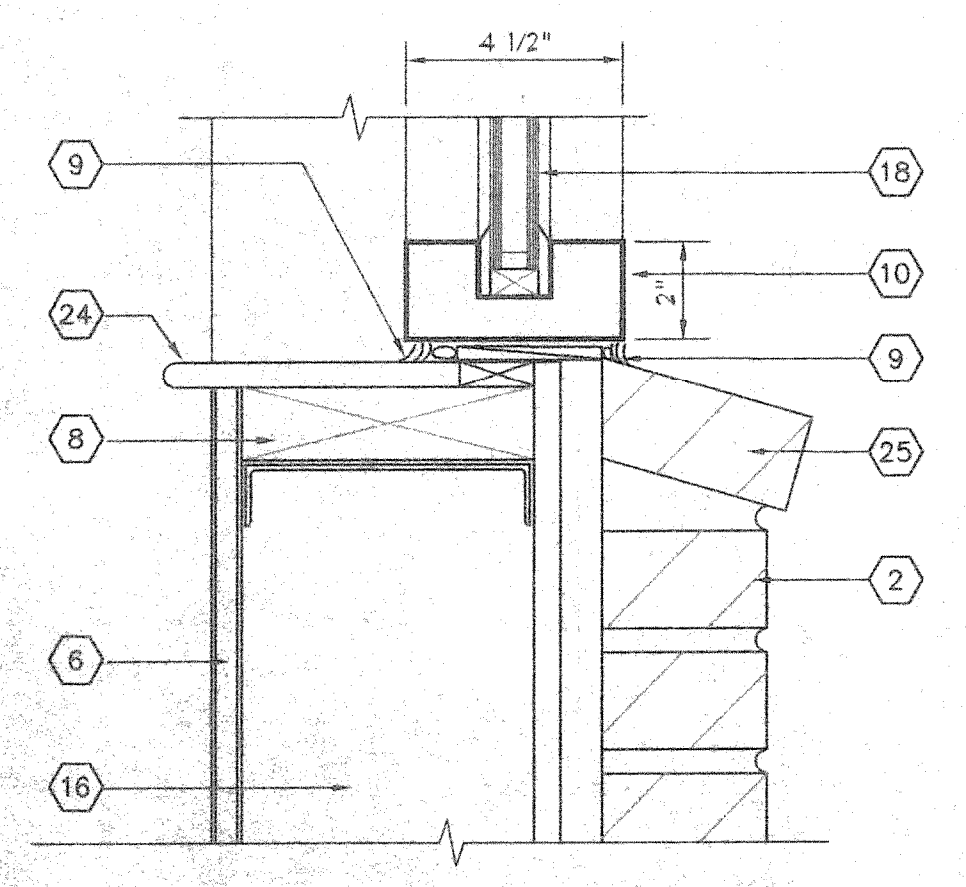
13 HEAD (JAMB SIMILAR)



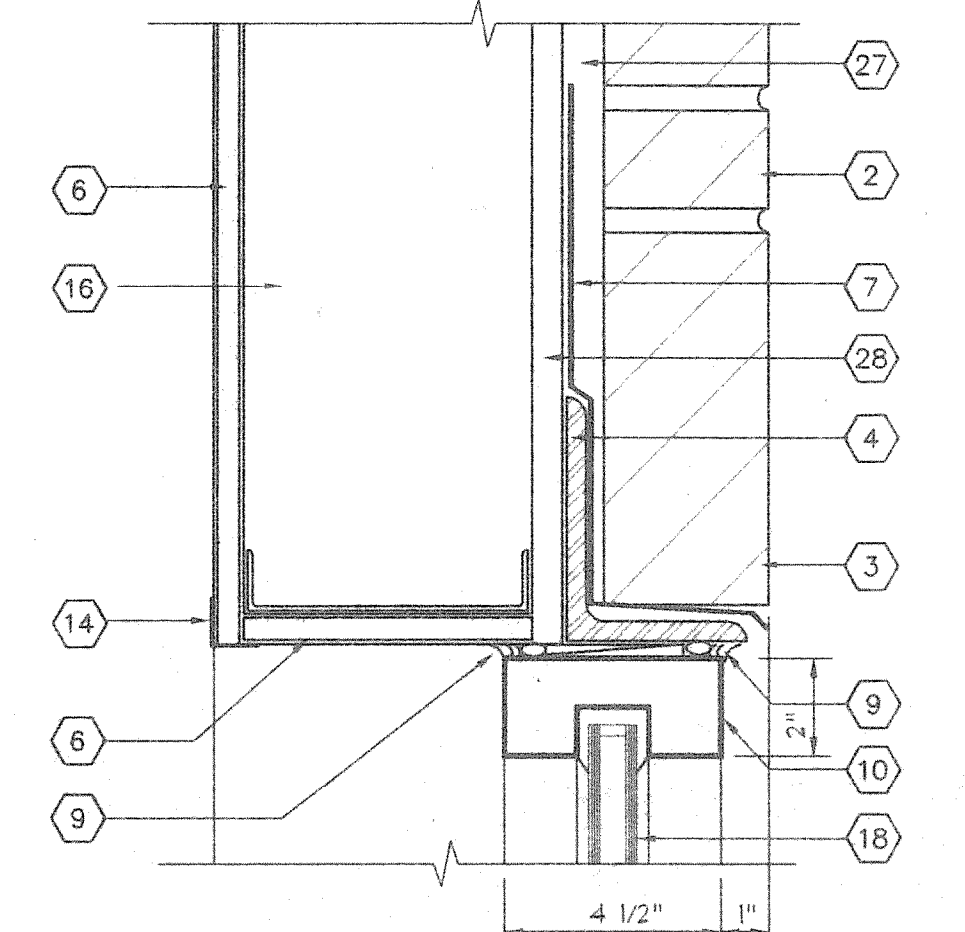
14 THRESHOLD



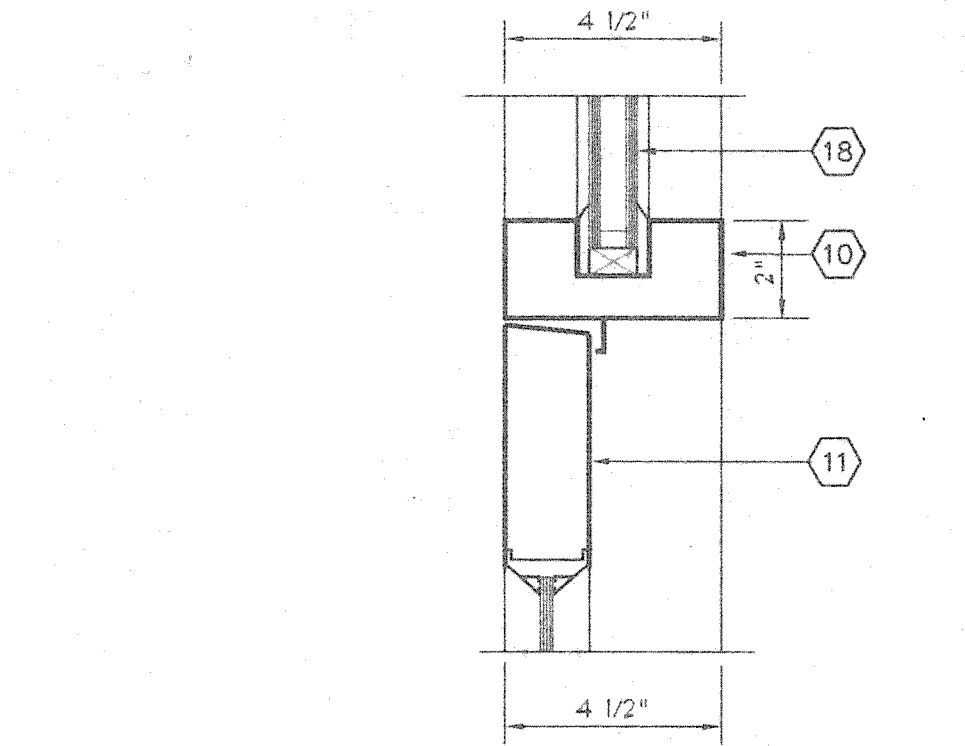
15 HEAD (JAMB SIMILAR)



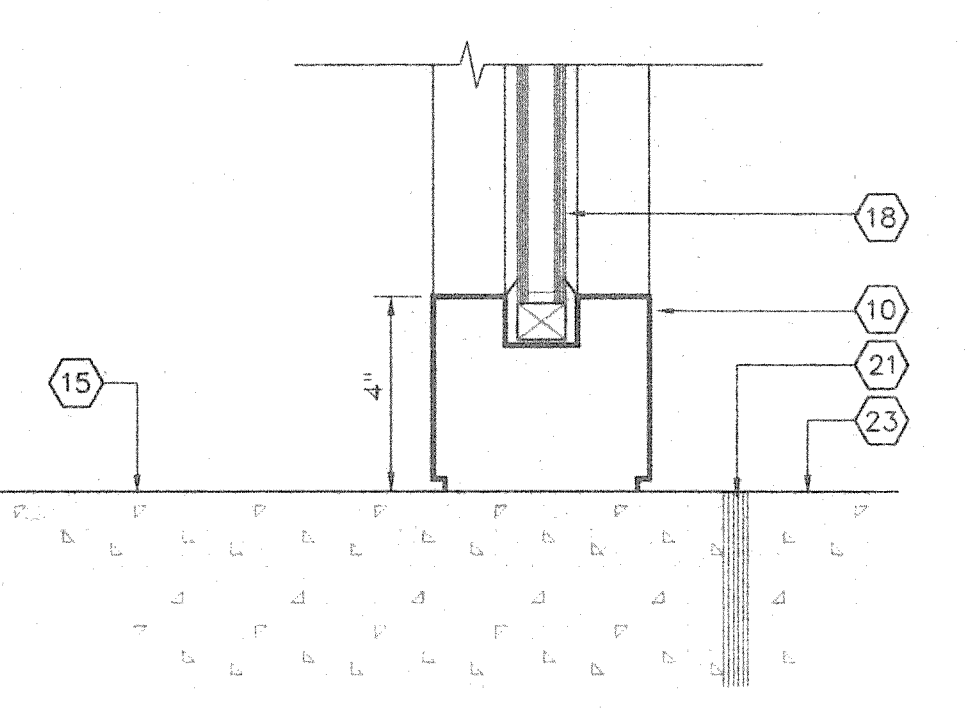
16 SILL



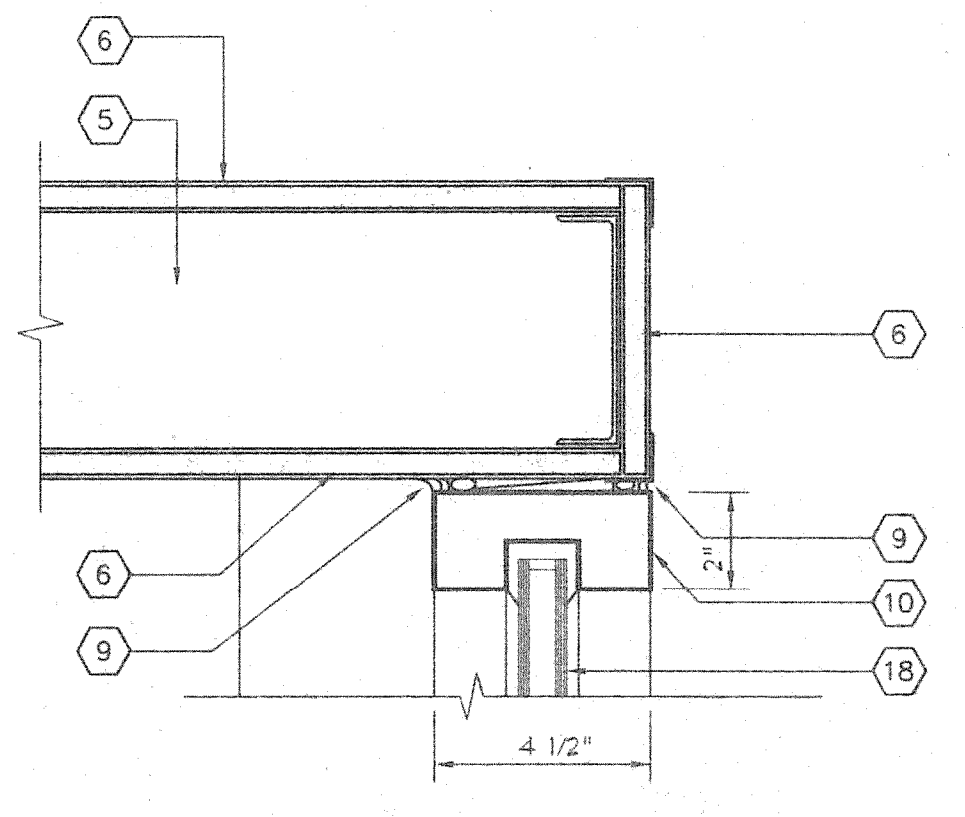
9 HEAD (JAMB @ WALL SIMILAR)



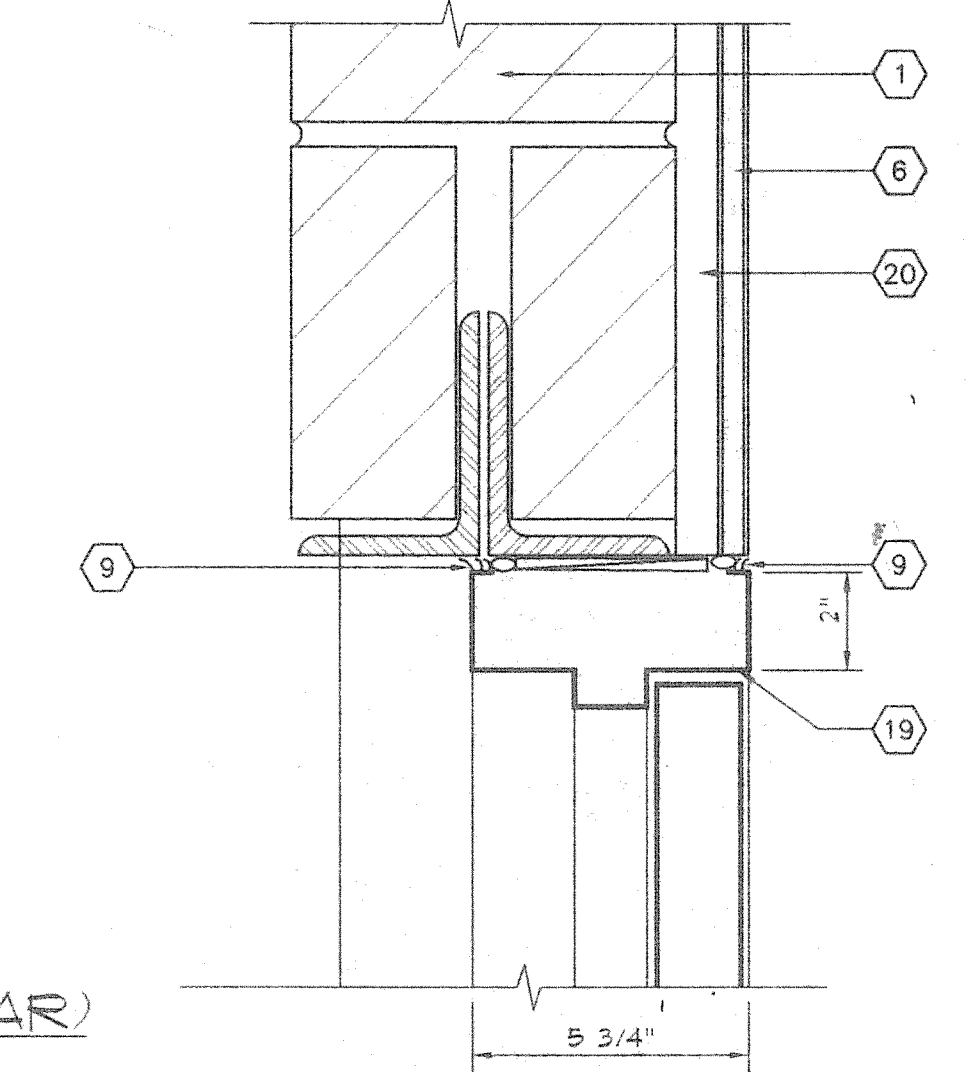
10 JAMB (DOOR-TO-SIDELIGHT)



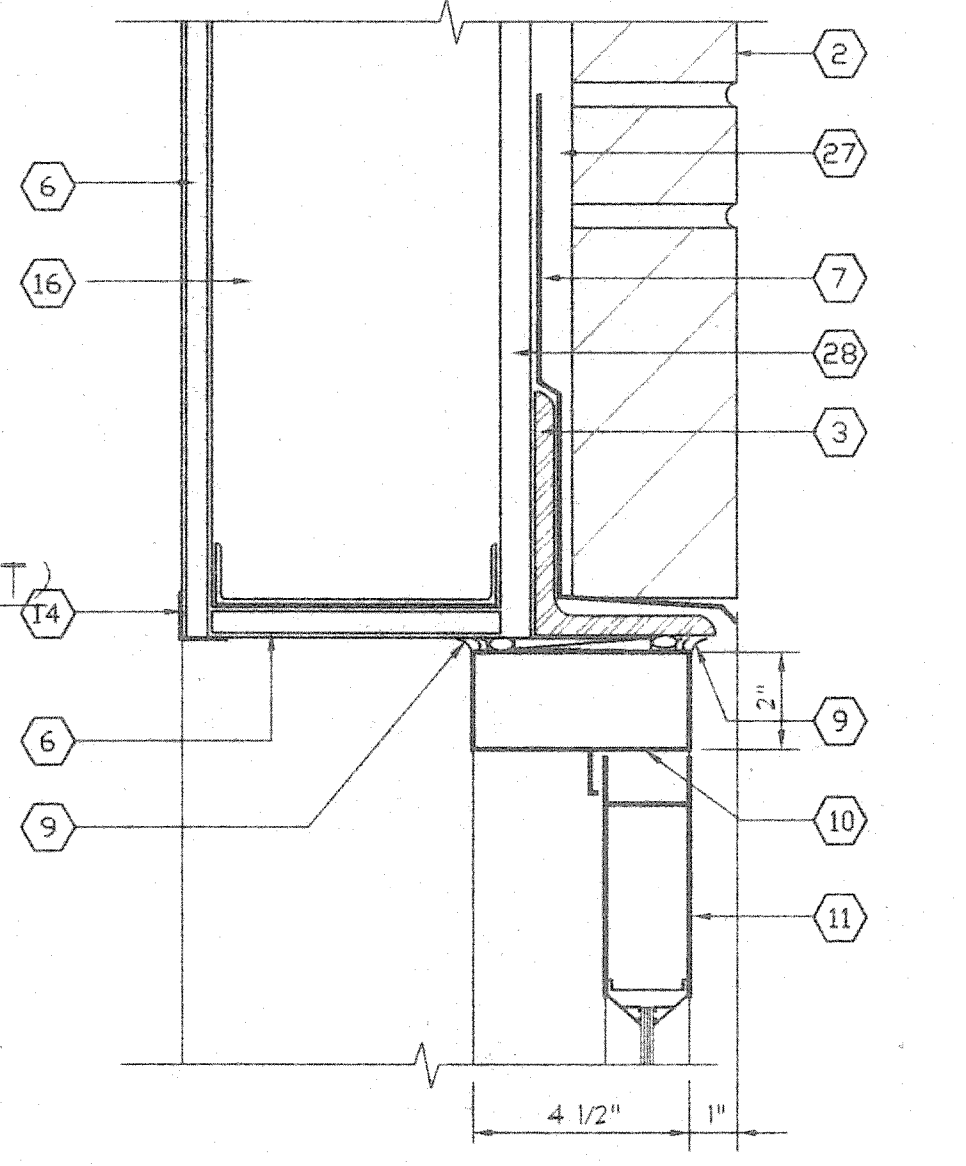
11 SILL



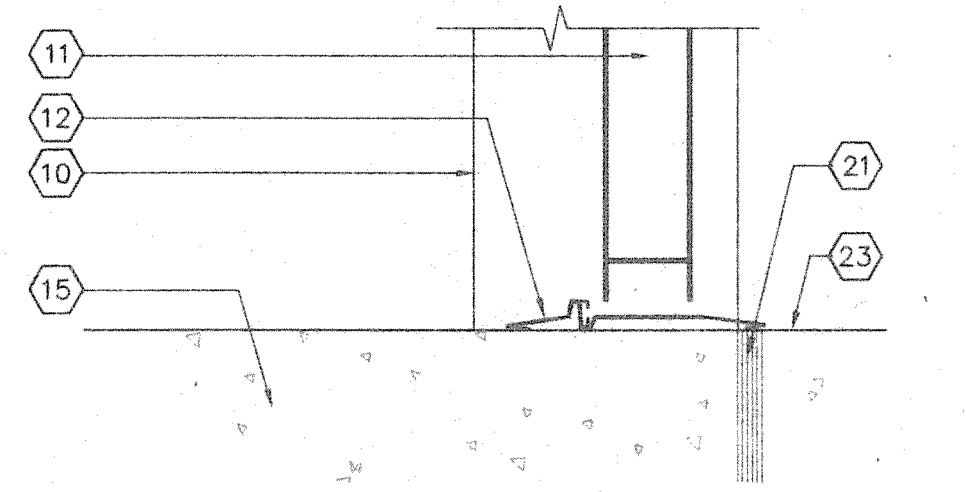
12 JAMB (HEAD SIMILAR)



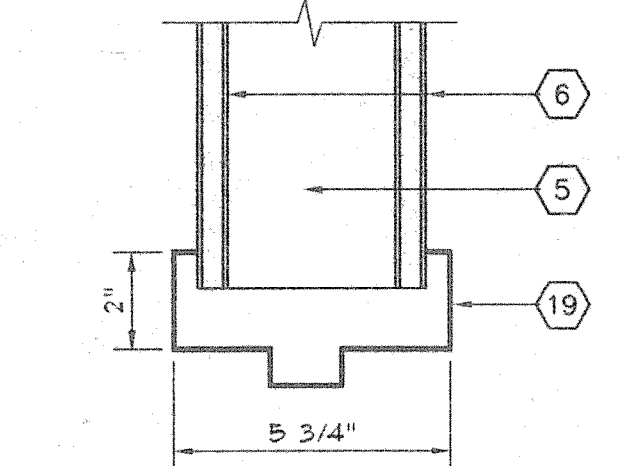
6 HEAD (JAMB SIMILAR)



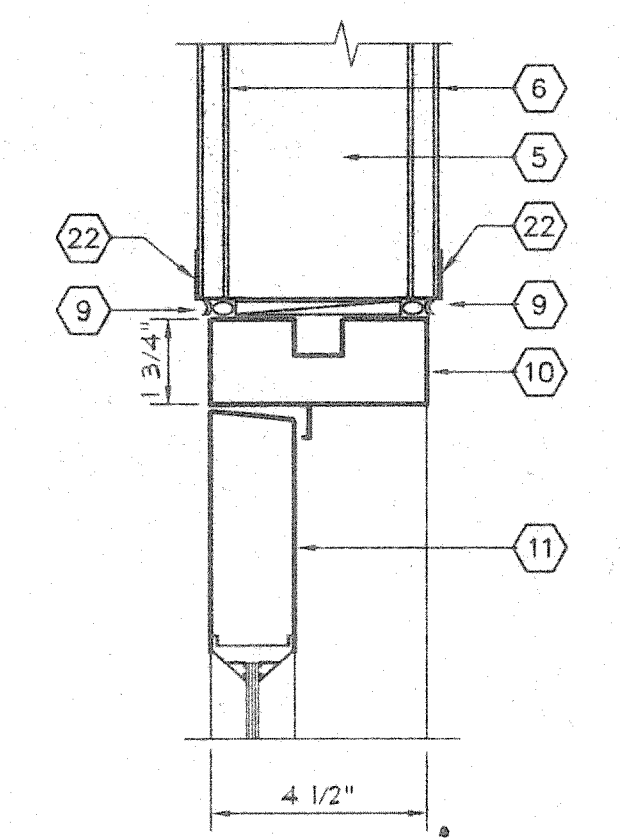
7 HEAD (JAMB SIMILAR)



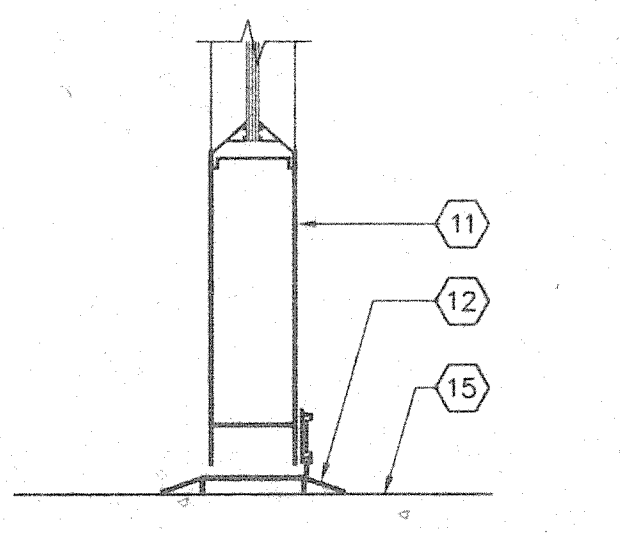
8 THRESHOLD



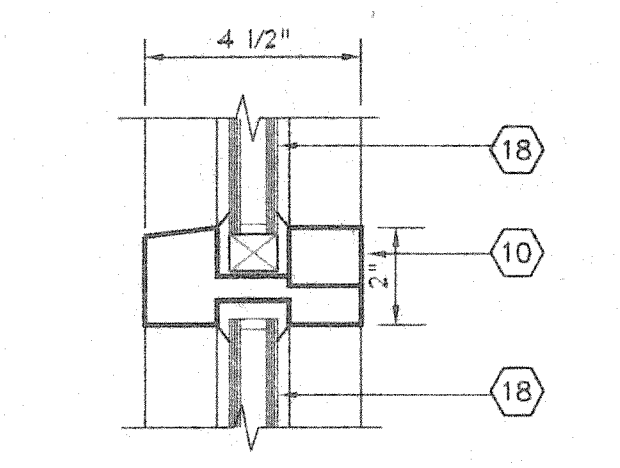
1 HEAD (JAMB SIMILAR)



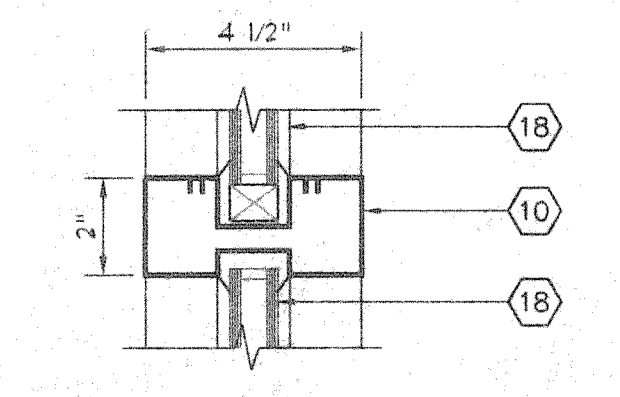
2 HEAD



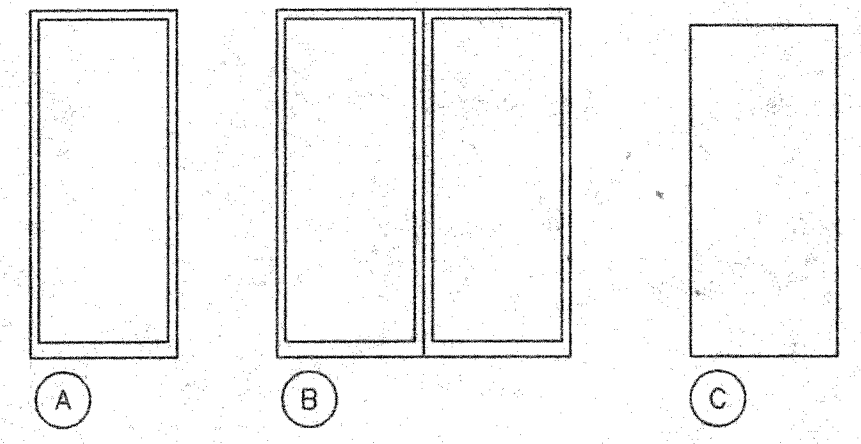
3 THRESHOLD



4 INTERMEDIATE HORIZONTAL MULLION



5 INTERMEDIATE VERTICAL MULLION



DOOR ELEVATIONS
1/4" x 1'-0"

NOTE:
DOOR & WINDOW DETAILS
ARE DRAWN @ 3" x 1'-0" SCALE.

NO.	REVISION DESCRIPTION	DATE
-----	----------------------	------

**FEINKNOPF
MACIOCE
SCHAPPA**
Architects, Inc.

274 Marconi Boulevard, Columbus, Ohio 43215
tele (614) 221-3192 fax (614) 221-5601

JASONWAY MEDICAL
OFFICE BUILDING

SHEET TITLE SHEET NO.

DOOR & WINDOW
DETAILS **A-10**