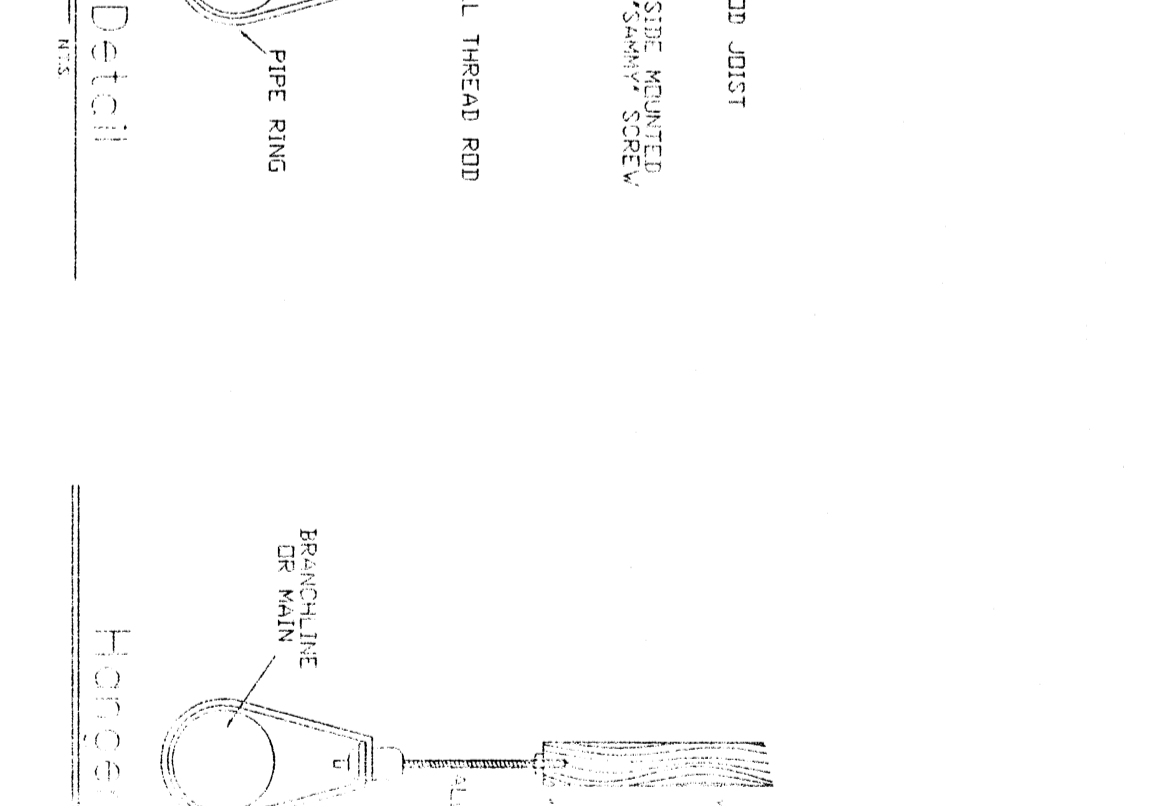
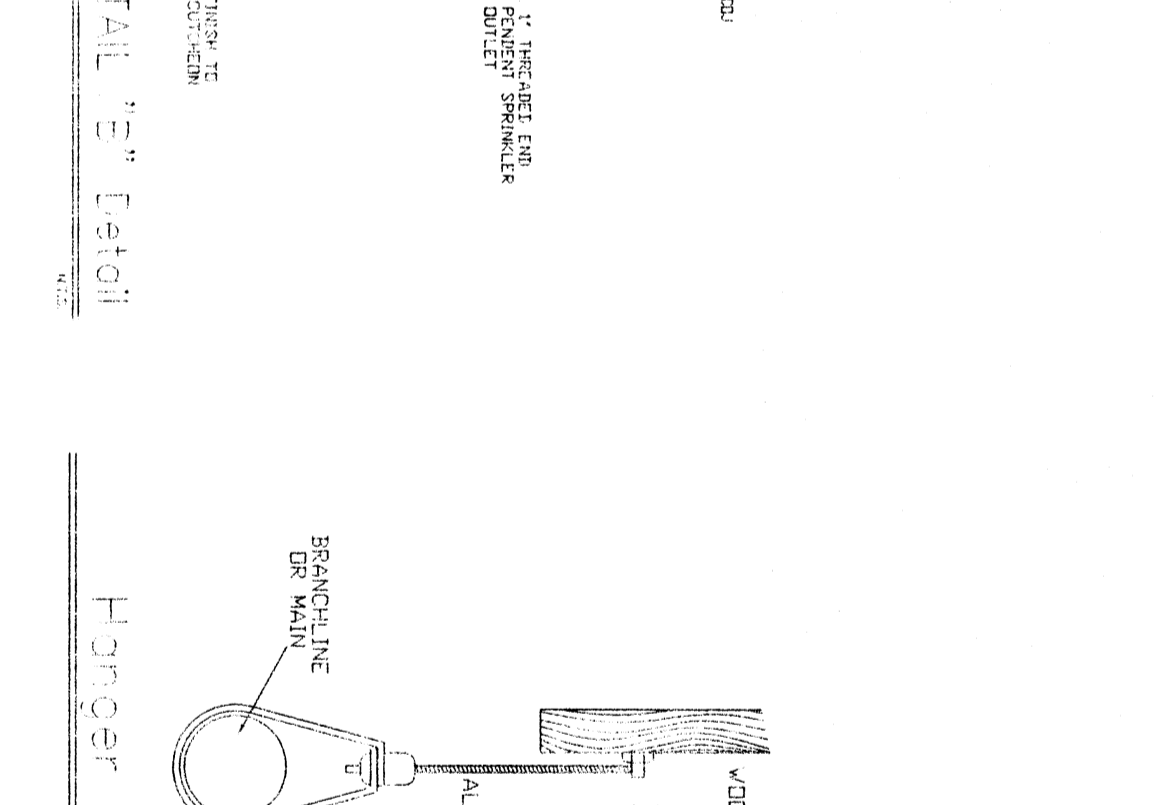
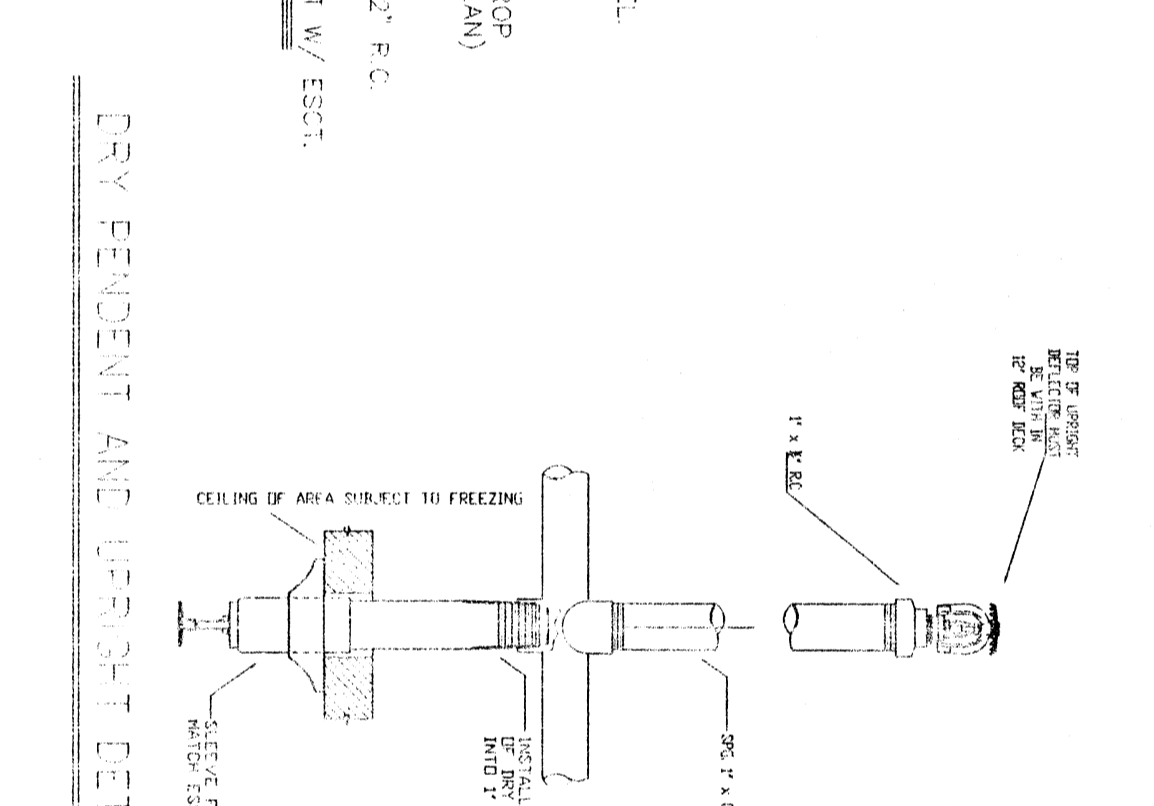
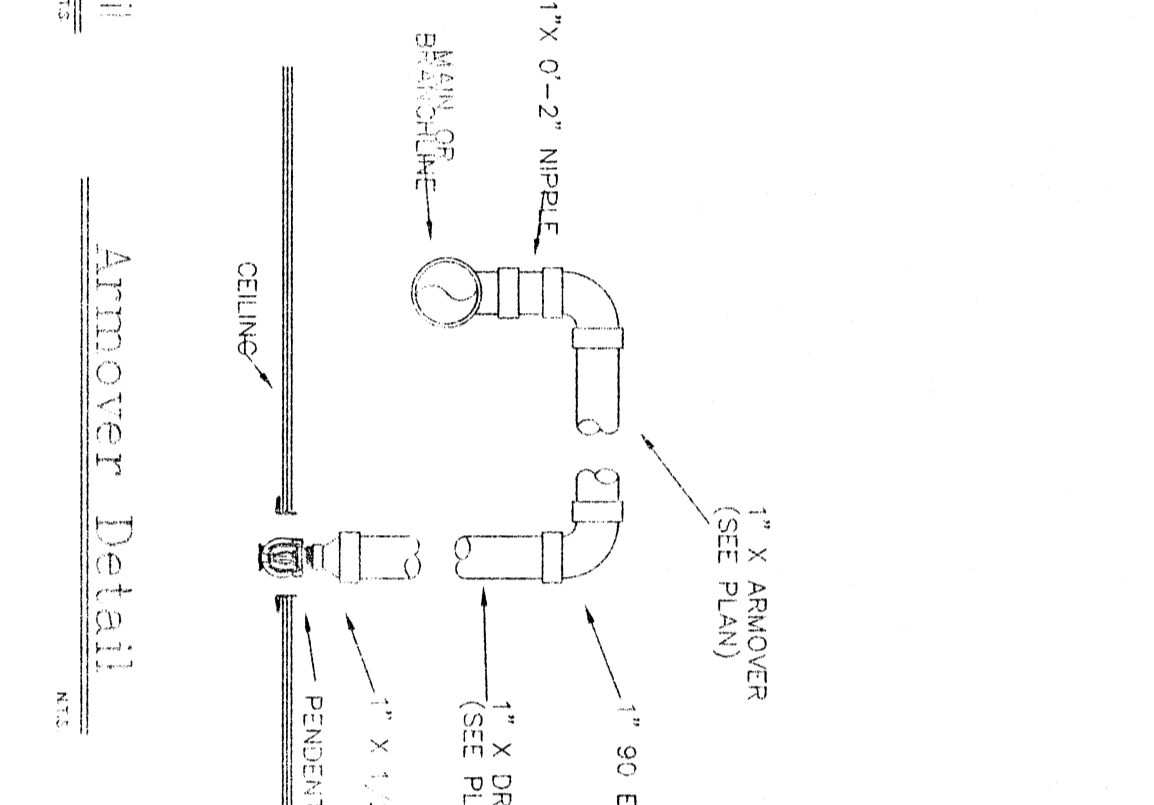
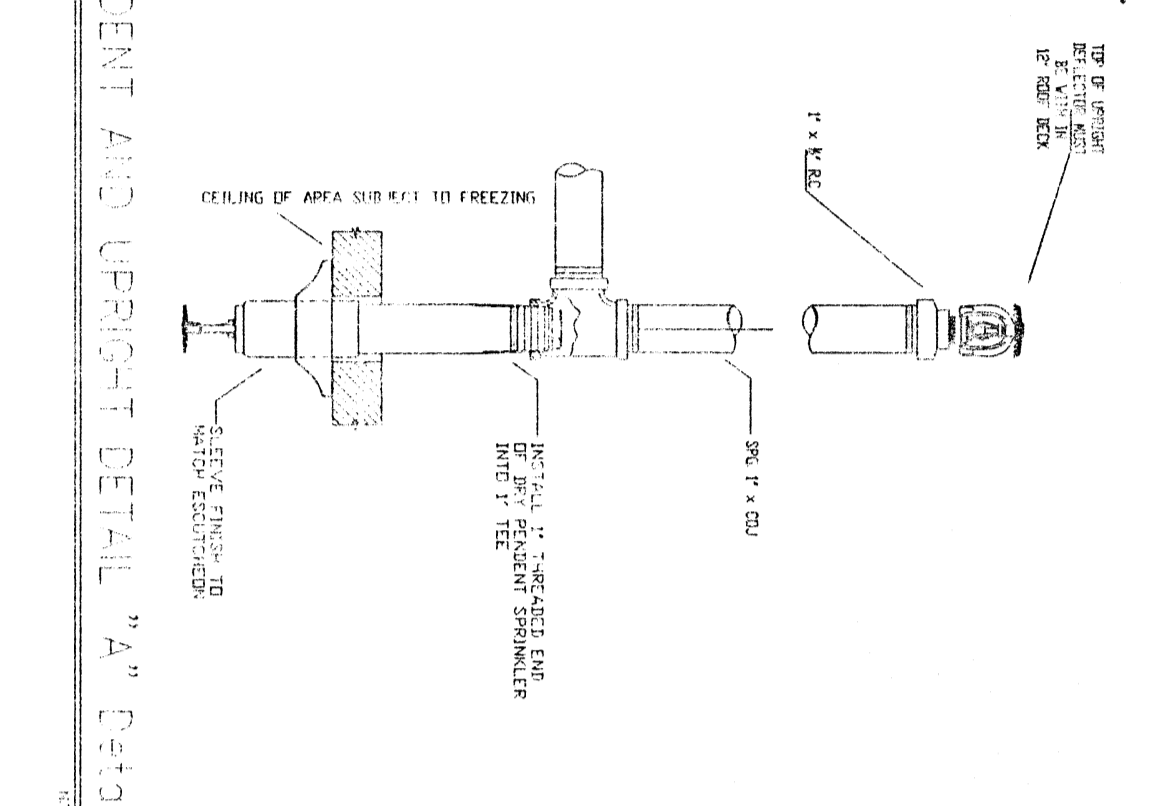
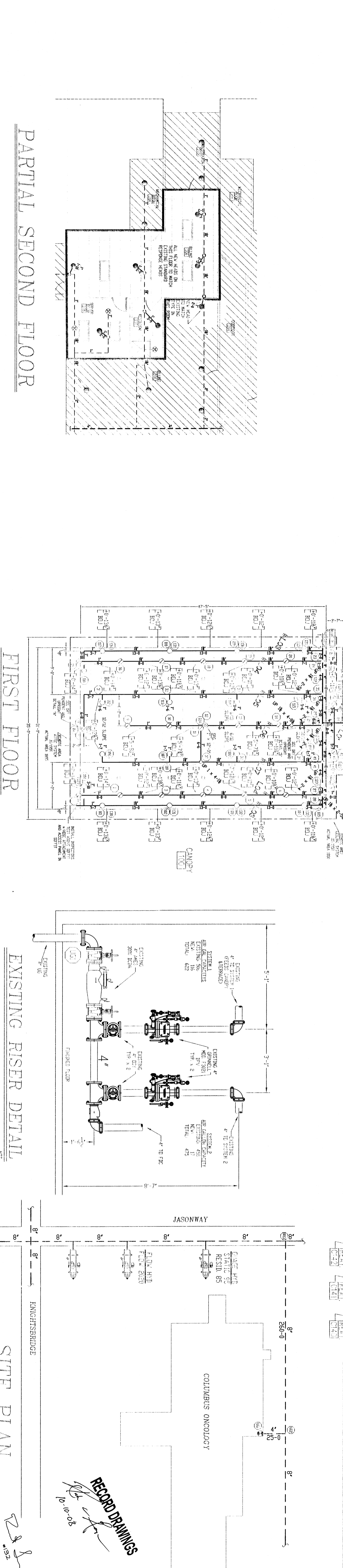
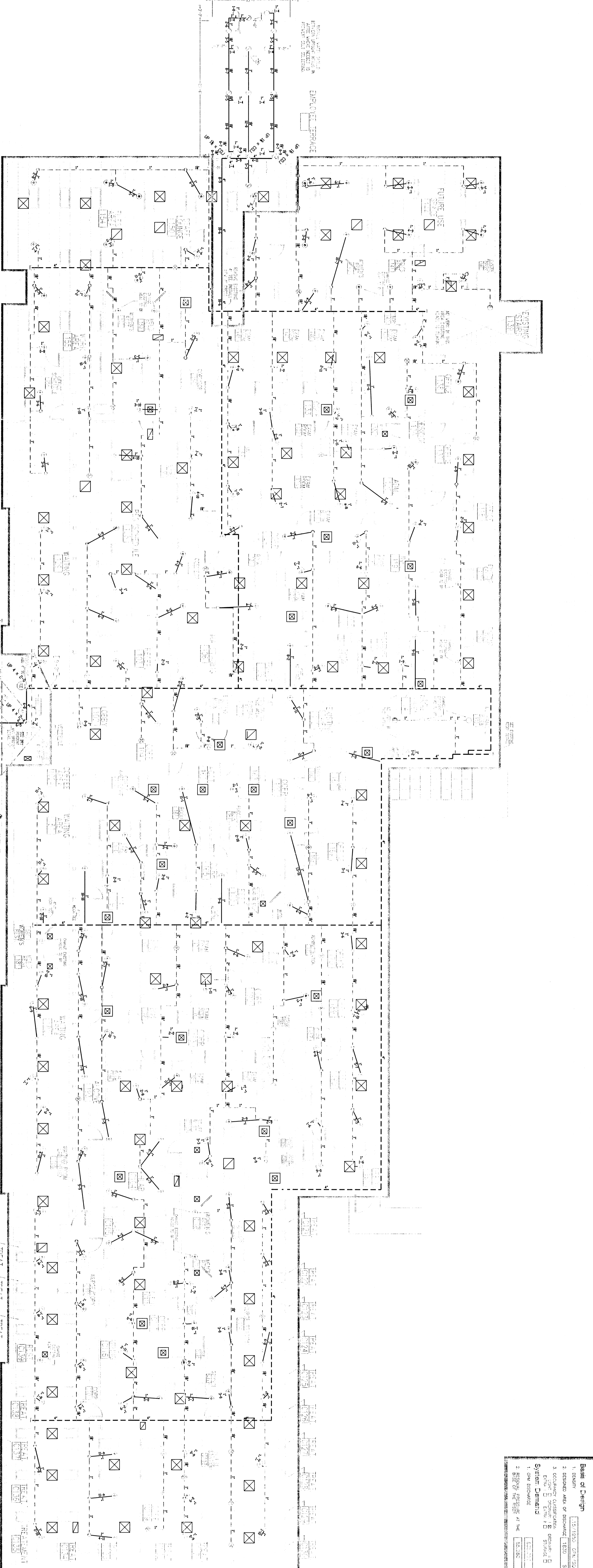


GENERAL NOTES

- 1. ALL WORK TO BE DONE IN ACCORDANCE WITH NFPA 13 AND OBC.
- 2. ALL NEW PIPING TO BE BLACK SCH. 40
- 3. EXISTING SPRINKLER SYSTEM TO REMAIN.
- 4. ALL NEW PIPING TO BE SUPPLIED FROM EXISTING SYSTEM.
- 5. RELOCATE AND INSTALL NEW HEADS AS NOTED.
- 6. CHECK SPRINKLER LEGEND FOR HEAD TYPES.
- 7. INSTALL HEAD CABINET WITH APPROPRIATE AMOUNT OF SPARES.
- 8. ATTIC HEADS ARE SPACED PER NFPA 13 (2007) PARAGRAPH 8.6.4.1.4.3.

SPRINKLER SYSTEM LEGEND

[Symbol]	EXISTING PIPE TO REMAIN
[Symbol]	NEW PIPING OF NEW SYSTEM OR FROM EXISTING SYSTEM
[Symbol]	RELOCATION OF NEW SYSTEM OR FROM EXISTING SYSTEM
[Symbol]	NEW SPRINKLER HEAD, RECESSED SEMI-PENDENT
[Symbol]	NEW SPRINKLER HEAD, STANDARD RESPONSE SEMI-PENDENT
[Symbol]	NEW SPRINKLER HEAD, FAST RESPONSE SEMI-PENDENT
[Symbol]	NEW SPRINKLER HEAD, BRASS UPRIGHT
[Symbol]	NEW SPRINKLER HEAD, CONC. STAND. SPRK. FOR BRASS PENDENT
[Symbol]	NEW SPRINKLER HEAD, ATTIC/CEILING
[Symbol]	NEW SPRINKLER HEAD, T-HEAD
[Symbol]	NEW SPRINKLER HEAD, NEW EXISTING SYSTEM
[Symbol]	NEW WORK, III, NEW EXISTING SYSTEM
[Symbol]	NEW WORK, III, NEW EXISTING SYSTEM



DALMATIAN FIRE, INC.
HYDRULIC-SYSTEM
Automatic Sprinkler System

Location: Columbus, OH

Base of Design	1. DESIGN	1.5/1350	0.5/100	3.5
	2. DESIGN AND DETAILING	1.5/1350	0.5/100	3.5
	3. CONTRACT ADMINISTRATION	1.5/1350	0.5/100	3.5
System Demand	1. LOW DEMAND	1.5/1350	0.5/100	3.5
	2. MEDIUM DEMAND	1.5/1350	0.5/100	3.5
	3. HIGH DEMAND	1.5/1350	0.5/100	3.5

No. of Sprinklers: 25

Location: Columbus, OH

Base of Design: 1. DESIGN 1.5/1350 0.5/100 3.5
2. DESIGN AND DETAILING 1.5/1350 0.5/100 3.5
3. CONTRACT ADMINISTRATION 1.5/1350 0.5/100 3.5

WIRING MODEL	20
1/2" x 1/2" OR CHROME SEMI RECESSED PENDENT	7
1/2" x 1/2" STANDARD RESPONSE SEMI RECESSED PENDENT	2
1/2" x 1/2" OR BRASS UPRIGHT	32
1" T x 1/2" OR CONC. 1/2" DRY BARELL PENDENT W/ 1/4" W/ RISK COVER PLATE (2007/NFPA13)	1
1/2" x 1/2" OR BRASS UPRIGHT	1
1/2" x 1/2" OR BRASS UPRIGHT	2
TOTAL SPRINKLER HEADS INSTALLED	291

DESIGN DATA

TYPE: 1-13
DATE: 12-7-07
PIPE ALLOWANCE: 100 GPM
Flow Test Data: 7.27-08
Job: By Columbus Div. of Water

FLOW TEST: 45 PSI STAIR AS PSI RESERVE 2025 47th FLOORING

1 OF 1

RECORD DRAWINGS

Dalmatian Fire, Inc.
7719 GRAPHICS WAY SUITE G
LEWIS CENTER, OH 43035
(740) 549 4509 FAX (740) 549 4586