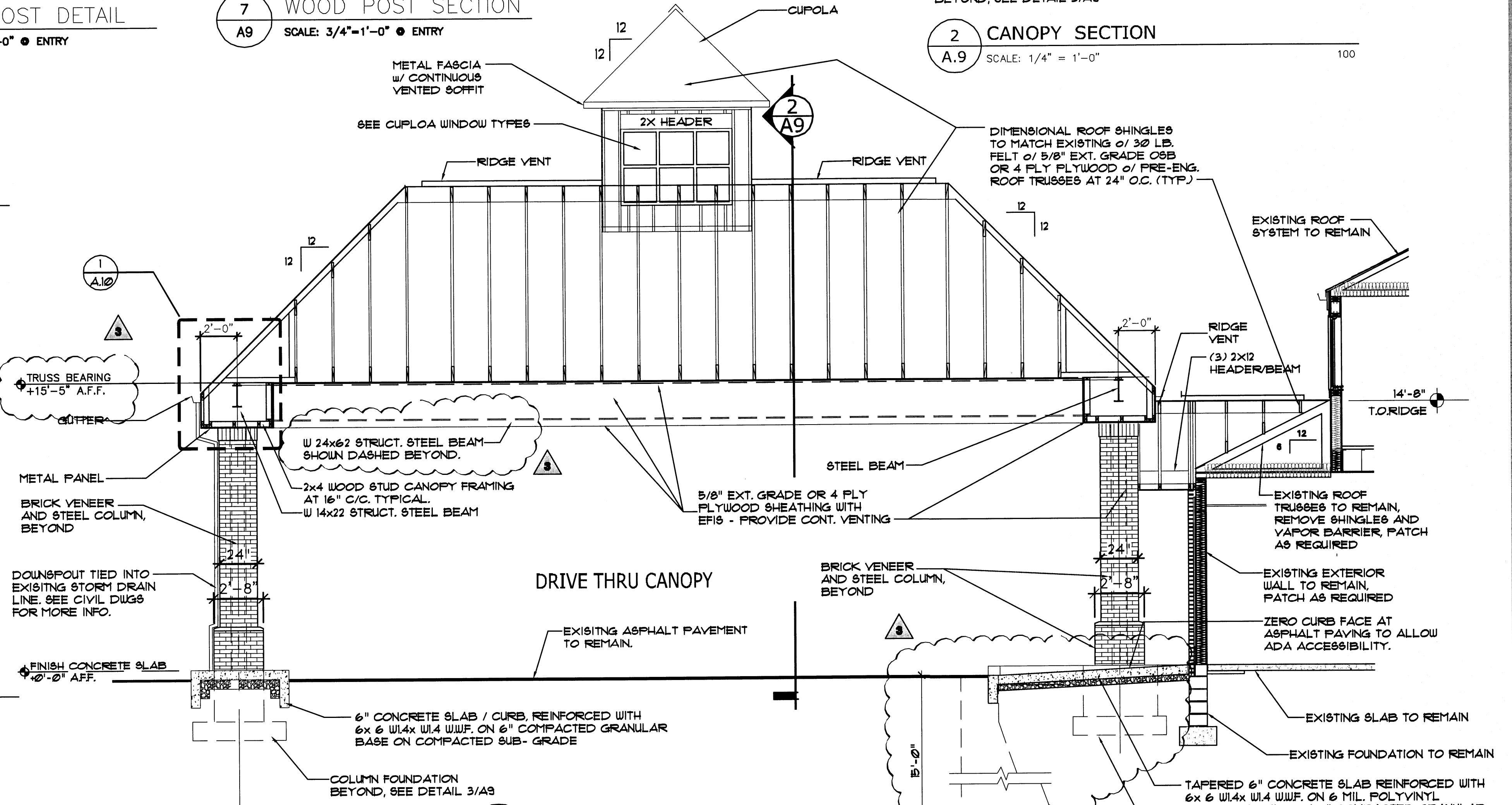
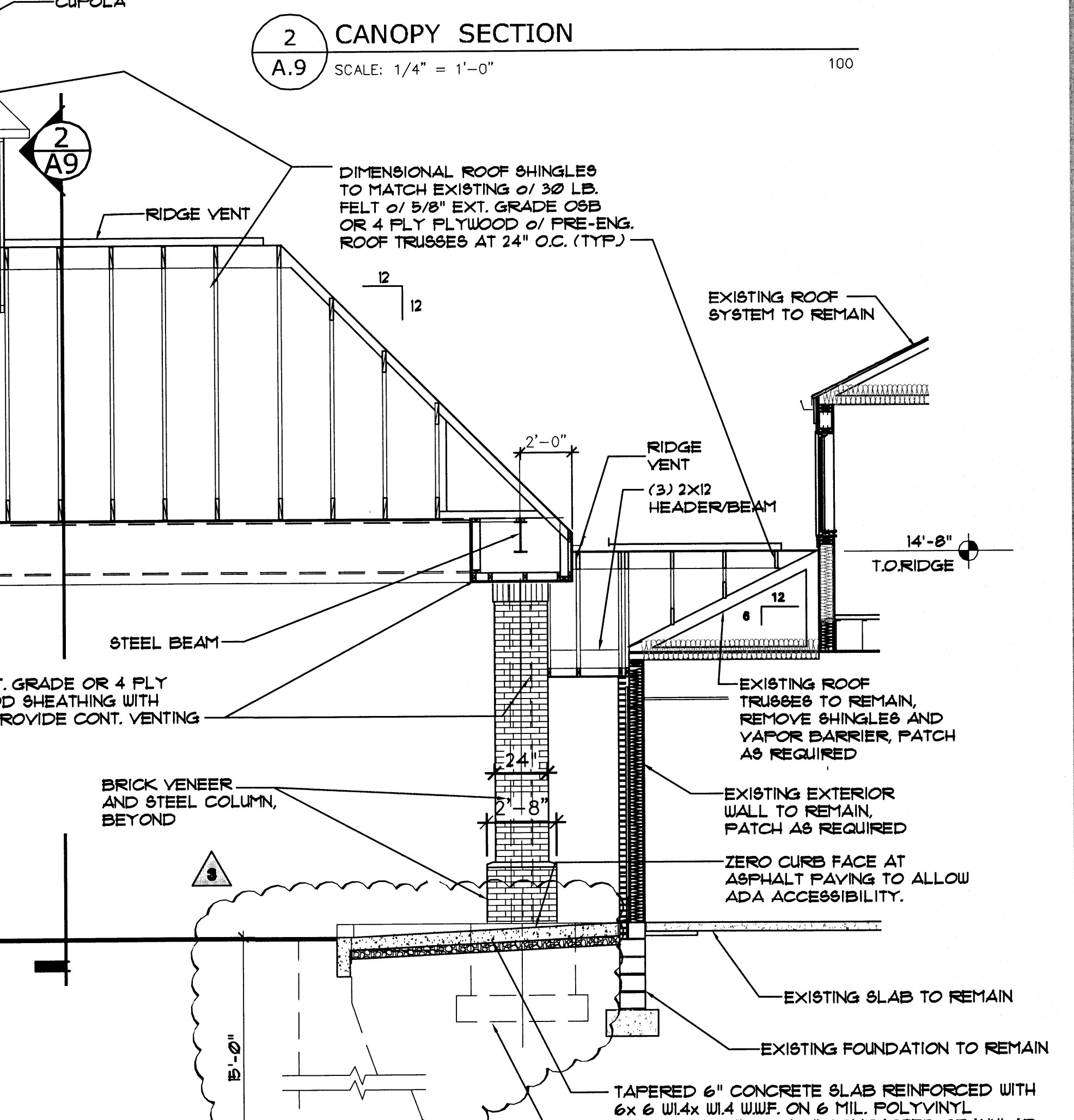
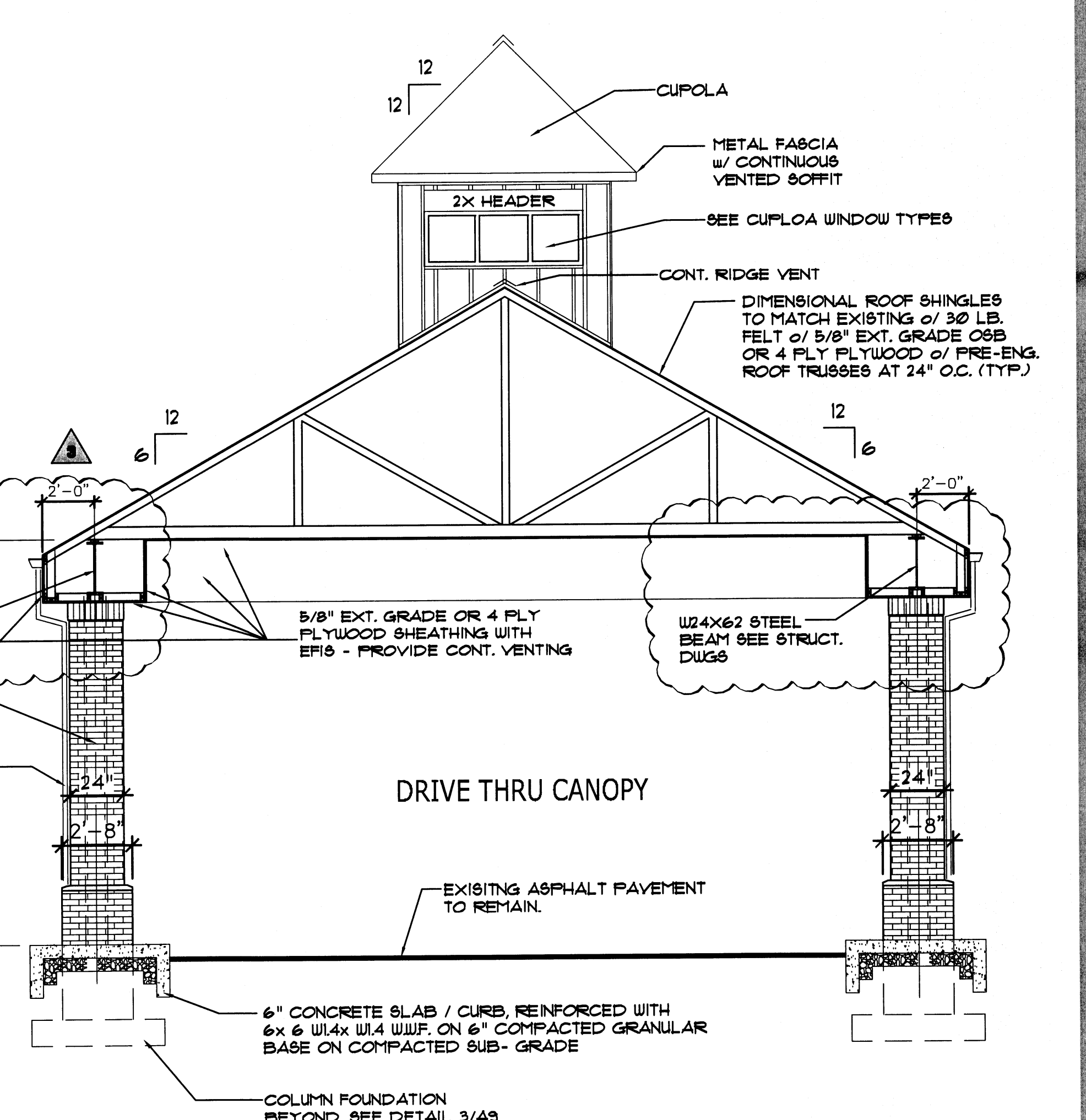
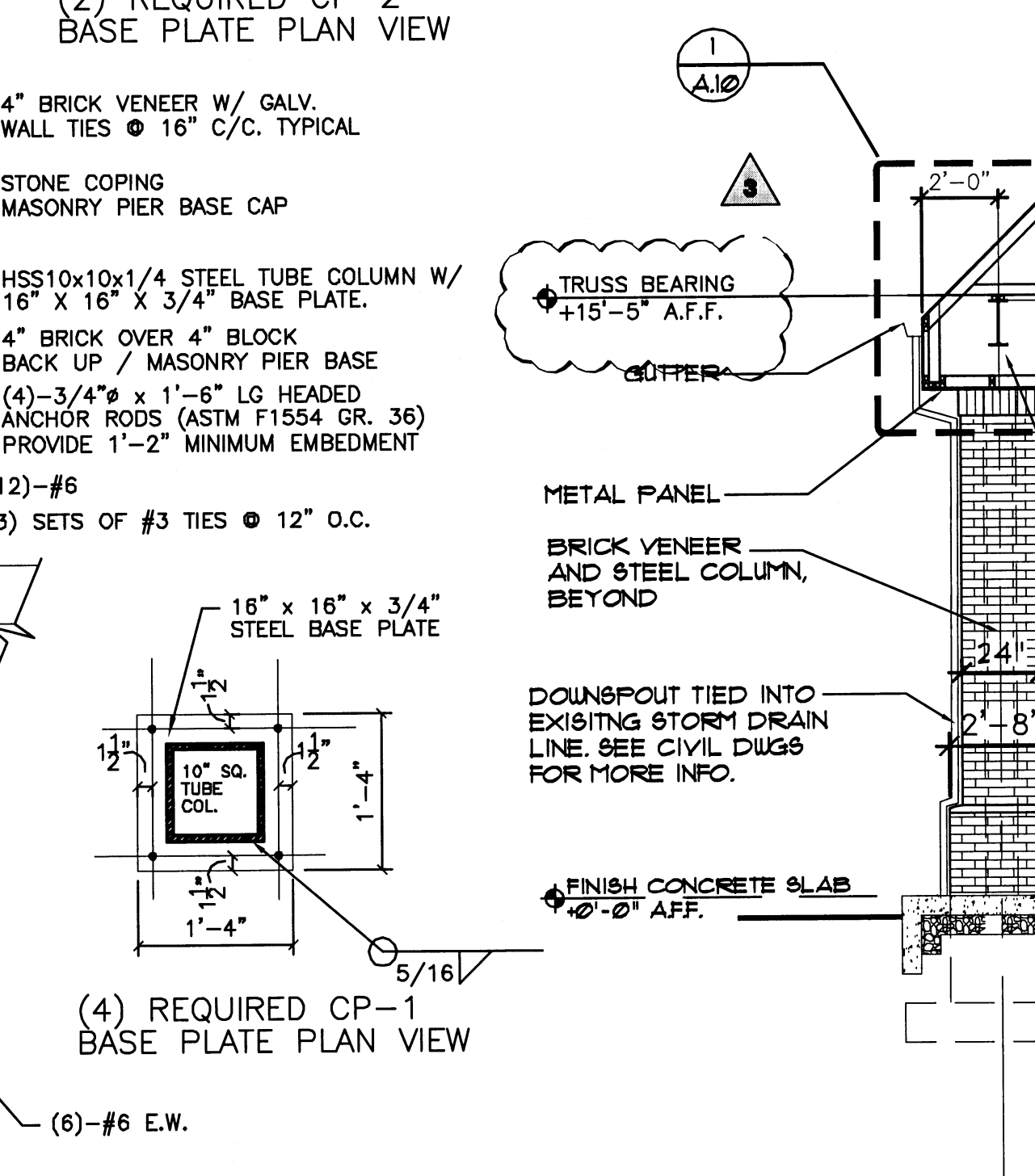
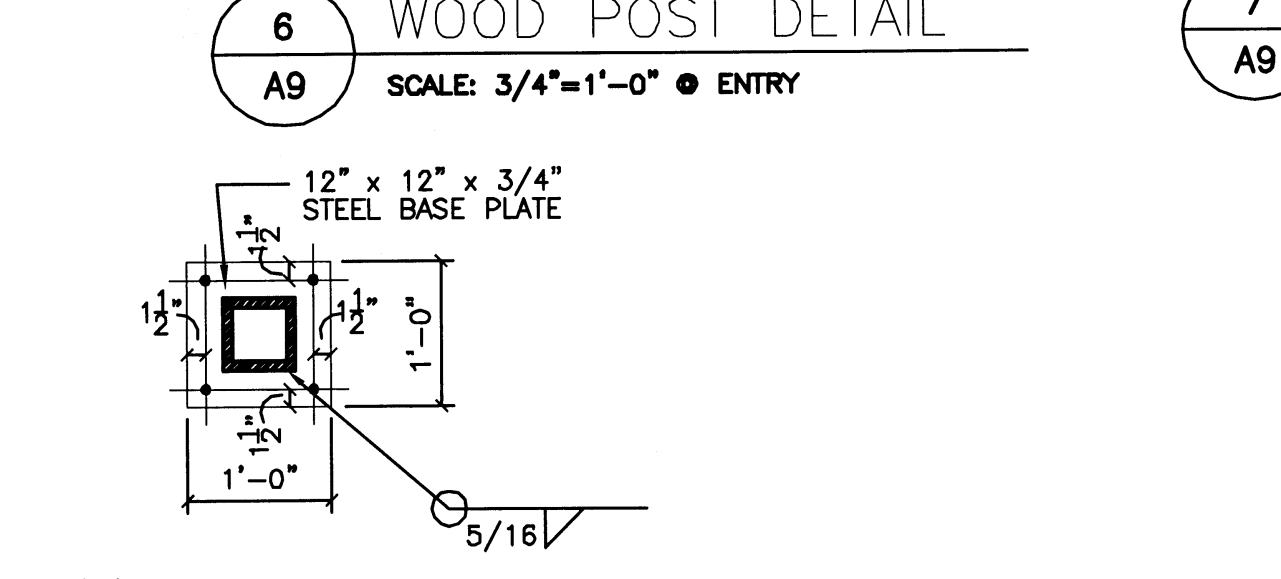
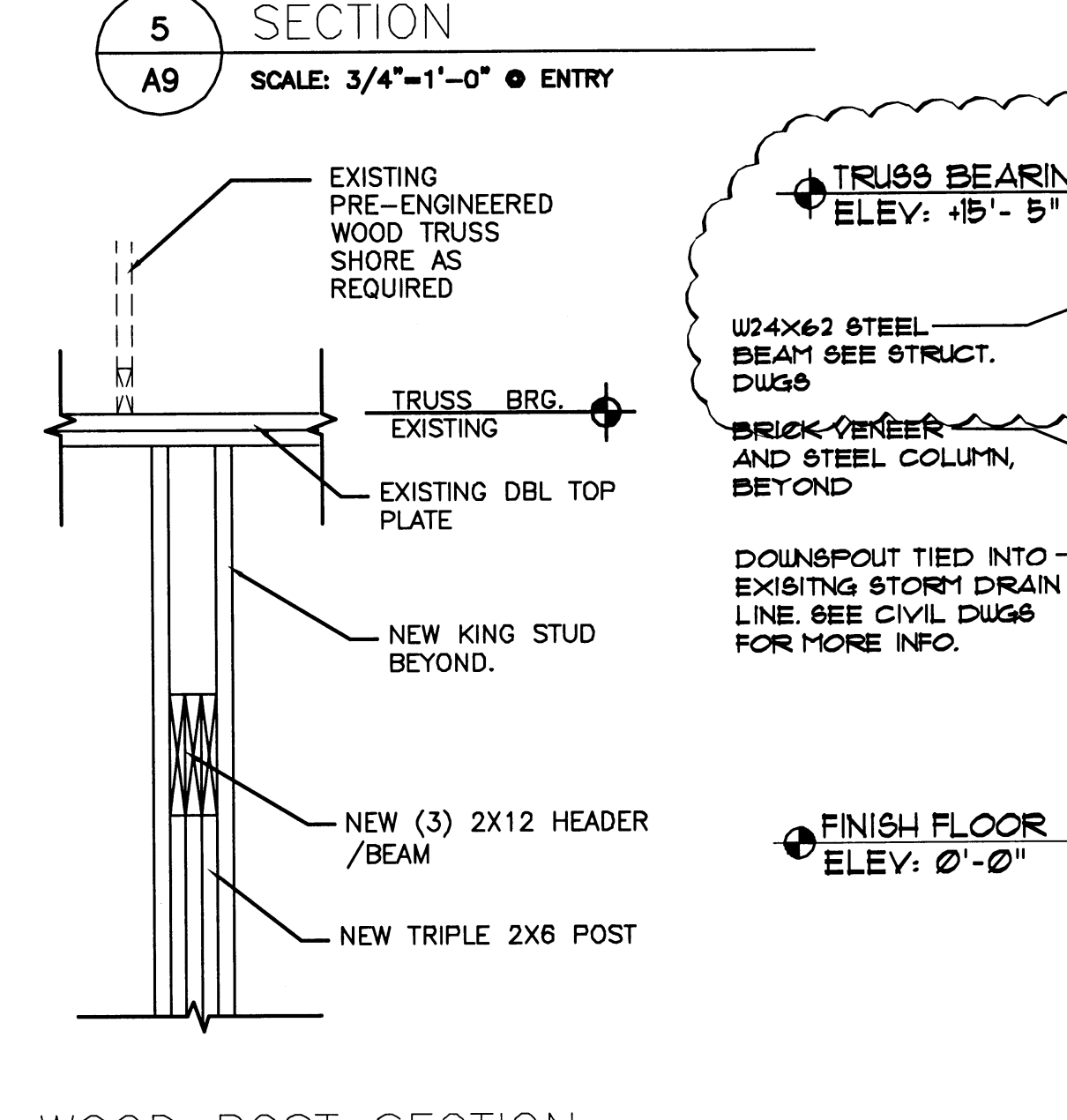
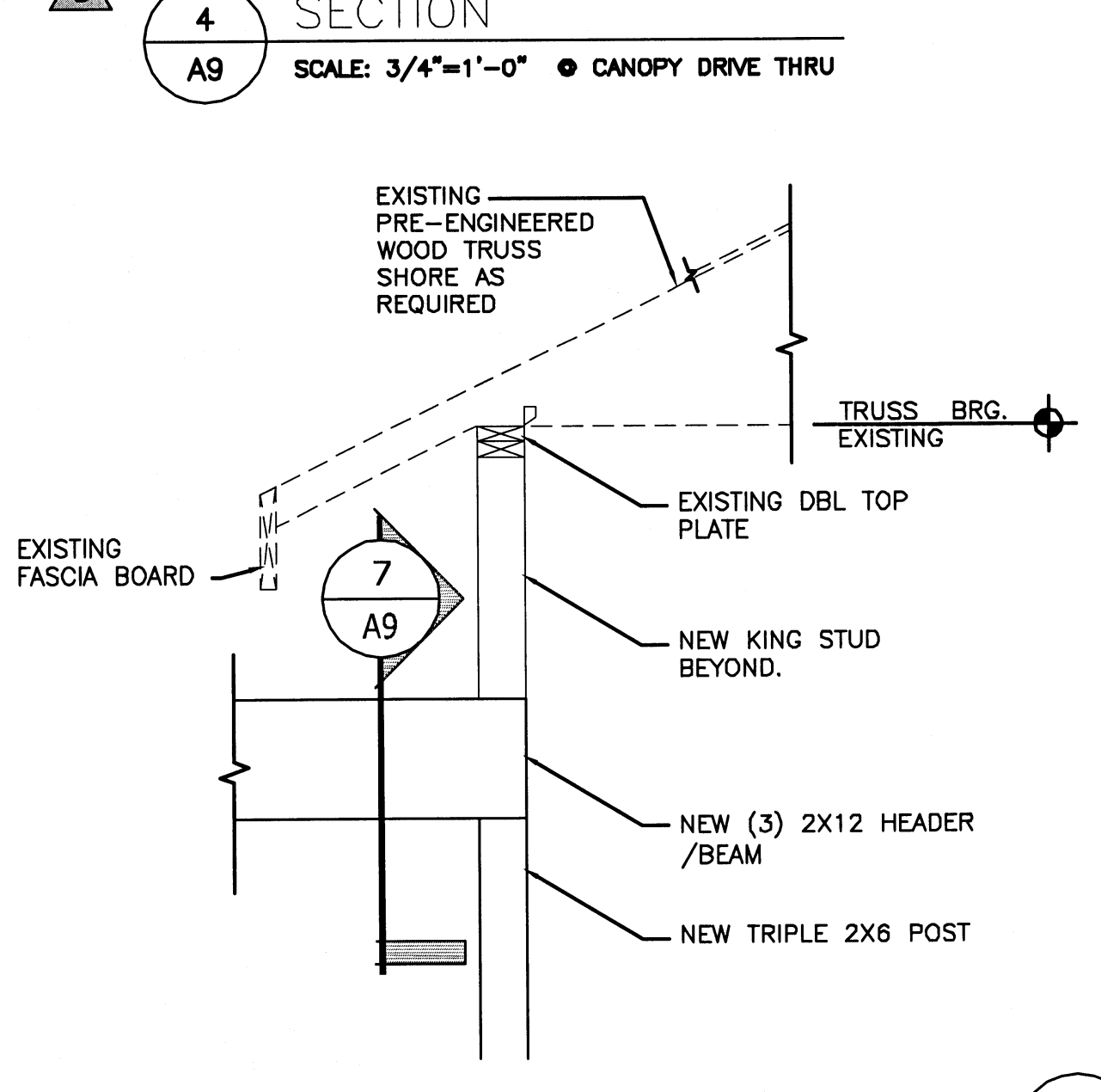
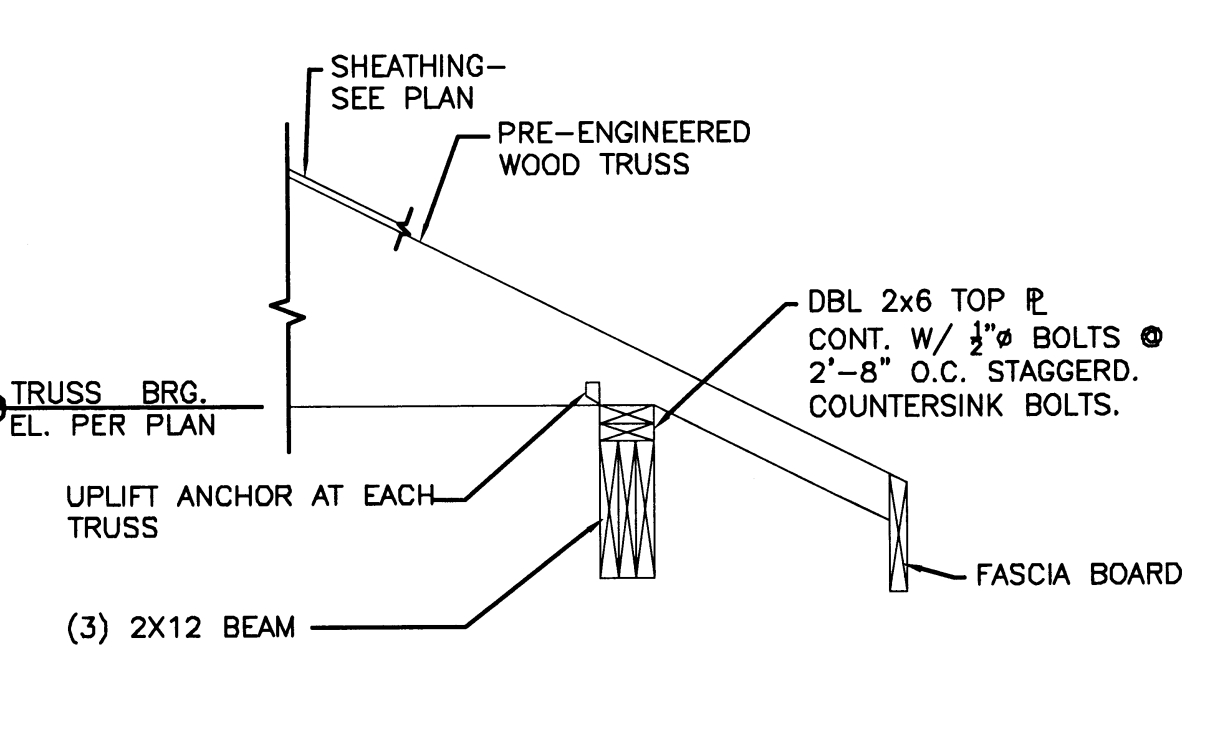
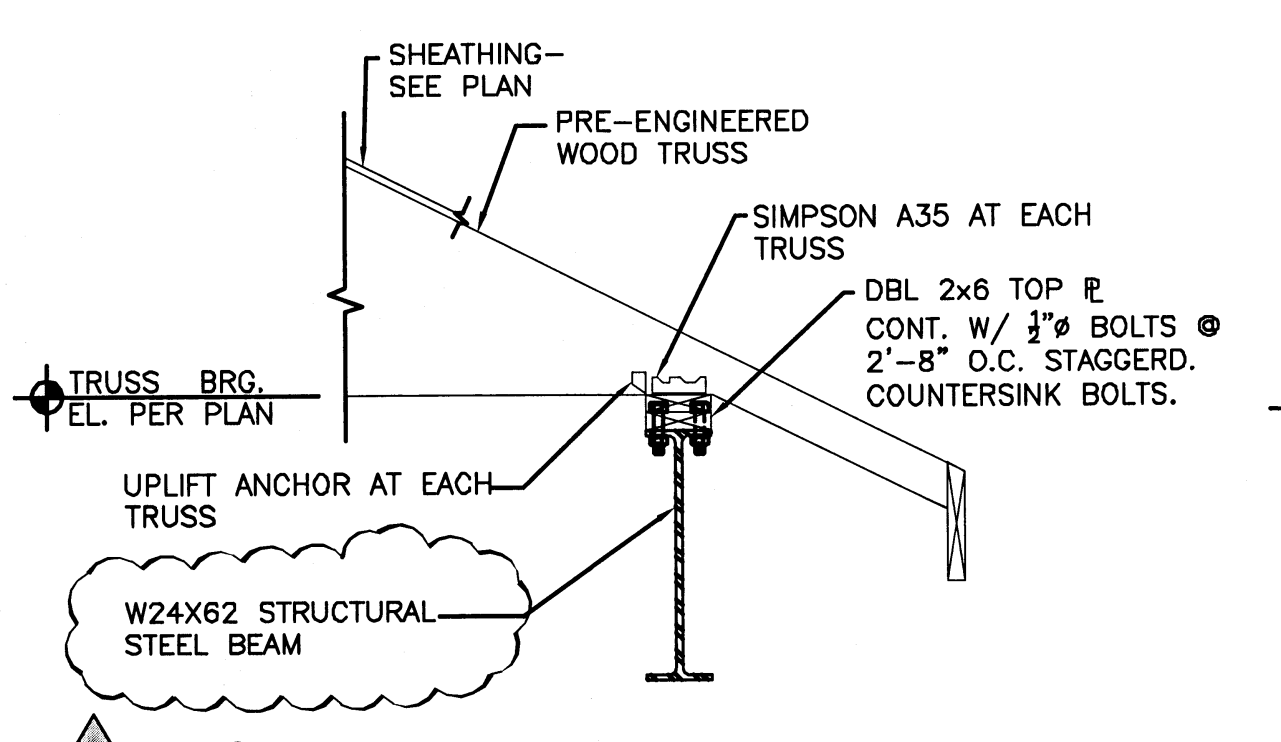
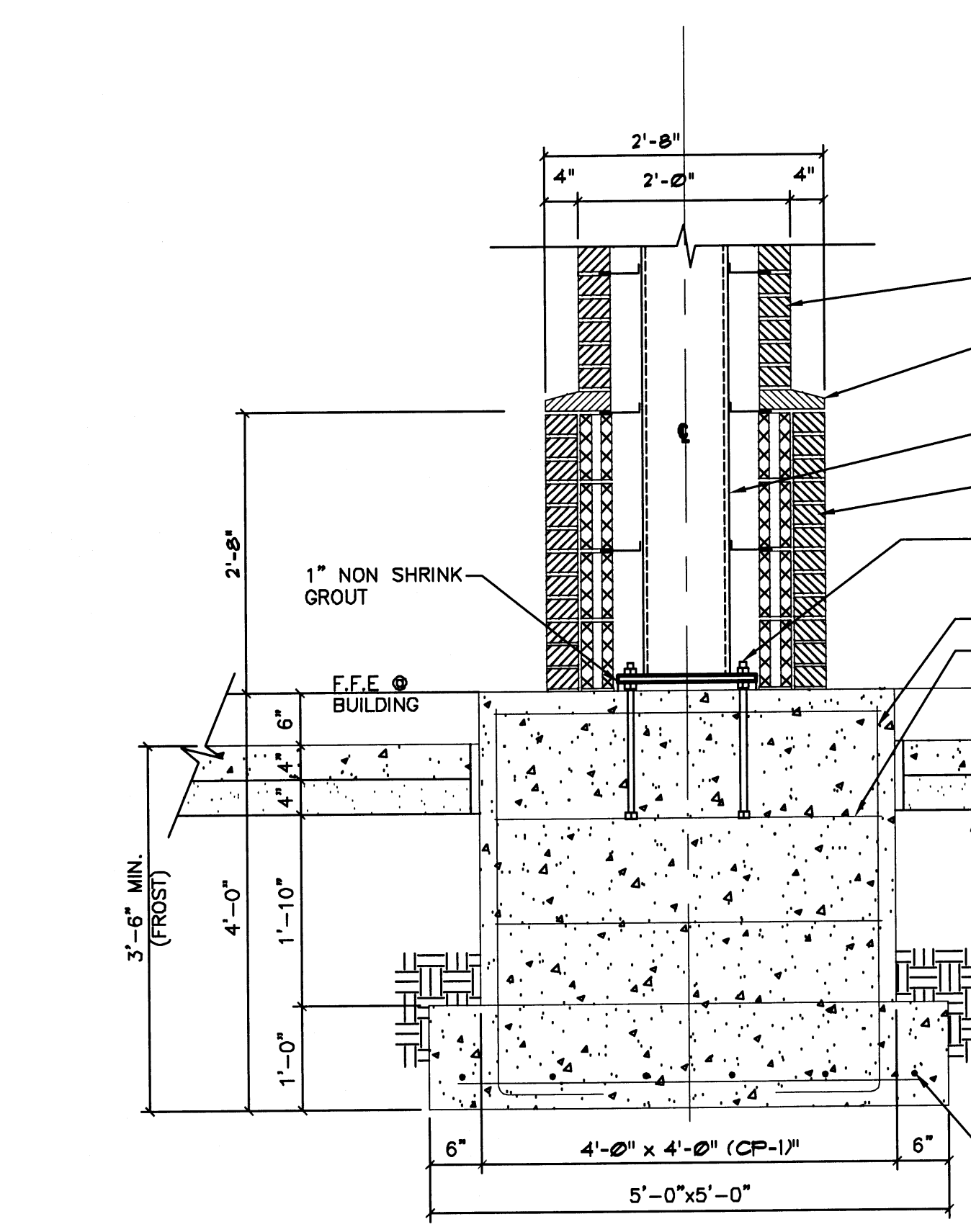
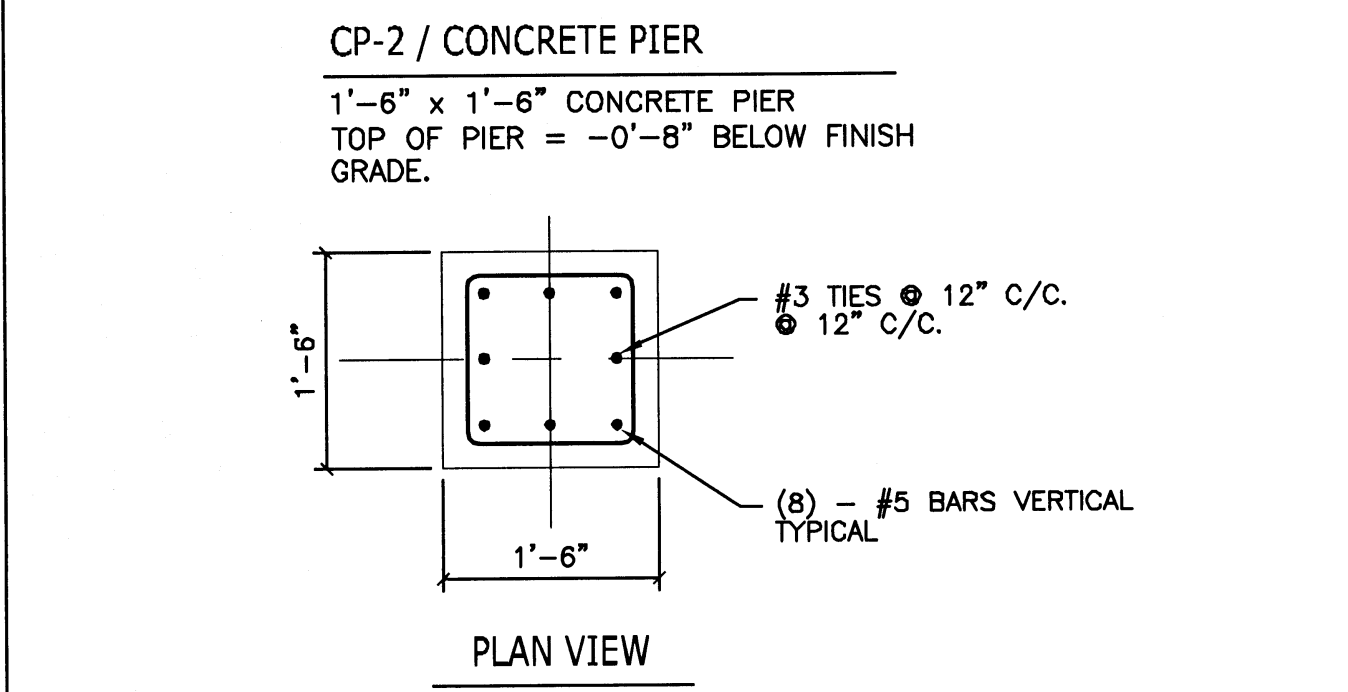
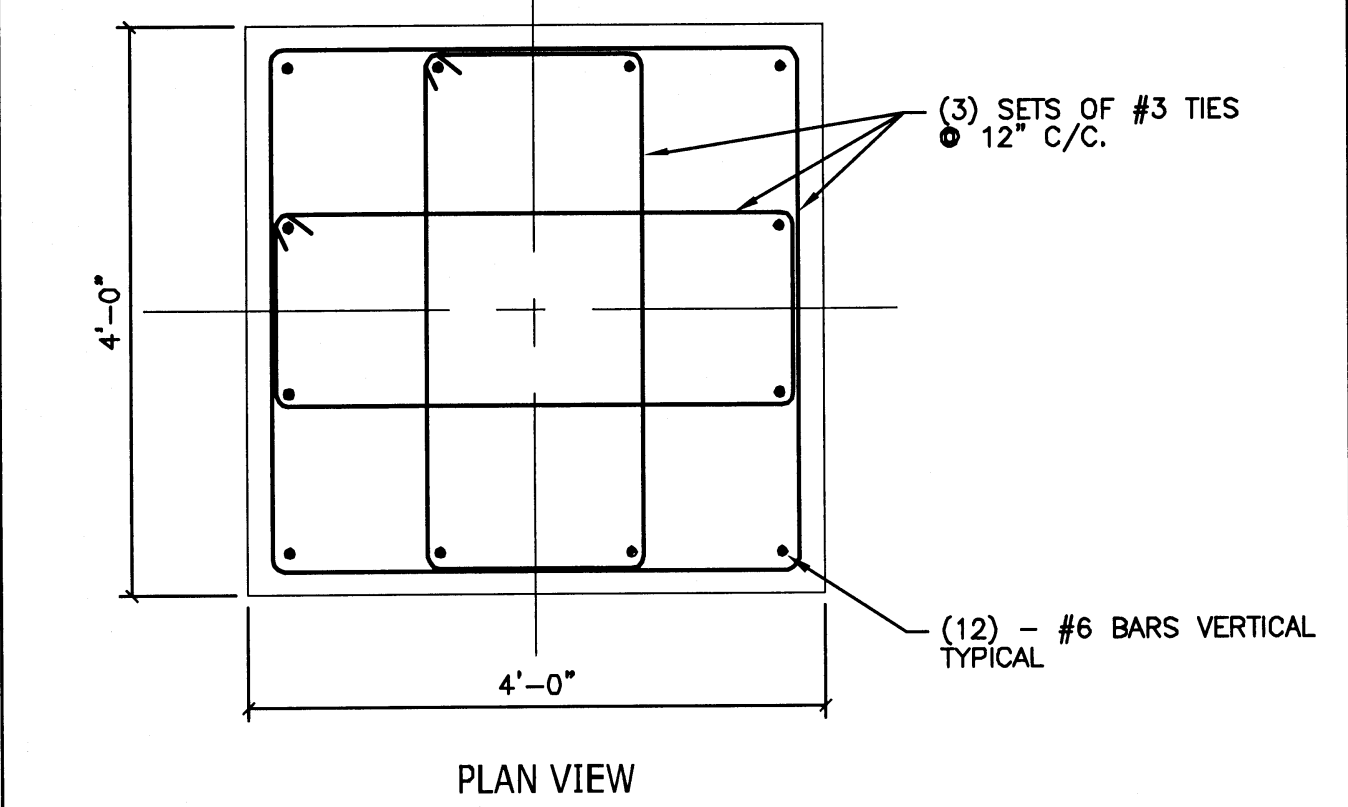


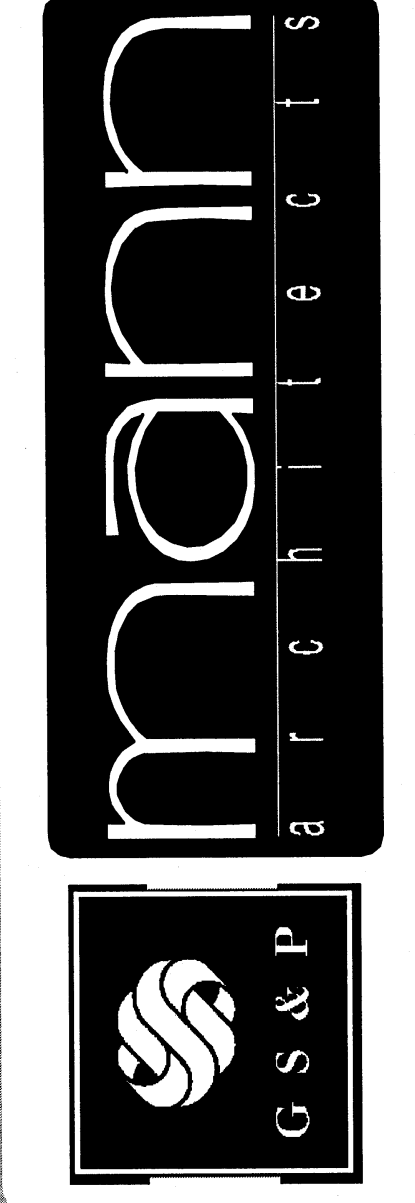
FOOTING SCHEDULE	
F4.0 / FOOTING	F5.0 / FOOTING
4'-0" WIDE x 4'-0" LONG x 1'-0" REINFORCED WITH (5) - #5 BARS EACHWAY ON BOTTOM	5'-0" WIDE x 5'-0" LONG x 1'-0" REINFORCED WITH (6) - #6 BARS EACHWAY ON BOTTOM
NOTE: BOTTOM OF ALL FOOTINGS SHALL BE -3'-6" BELOW ADJACENT FINAL GRADE FOR FROST.	

CONCRETE PIER SCHEDULE	
CP-1 / CONCRETE PIER	
4'-0" x 4'-0" CONCRETE PIER REINFORCED WITH (5) - #5 BARS EACHWAY ON BOTTOM	
CP-2 / CONCRETE PIER	
1'-6" x 1'-6" CONCRETE PIER TOP OF PIER = -0'-8" BELOW FINISH GRADE.	



revisions
 A.10/2007 ADDENDUM No.1
 A.11/2007 ADDENDUM No.2
 A.12/2007 BULLETIN No.1
 A.13/2008 BULLETIN No.2
 A.14/2008 BULLETIN No.3

3660 embassy parkway
 akron, ohio 44333
 tel. 330.666.5770
 fax. 330.666.8812
 web site www.mann-architects.com



drawing
 CANOPY SECTIONS scale
 project no. 1406 date OCTOBER 23, 2007 AS NOTED
 COLUMBUS ONCOLOGY
 JASONIY PROFESSIONAL BUILDING
 810 JASONIY AVENUE, SUITE A
 COLUMBUS, OHIO 43214-2325

A.9
 OF 18
 sheet no.