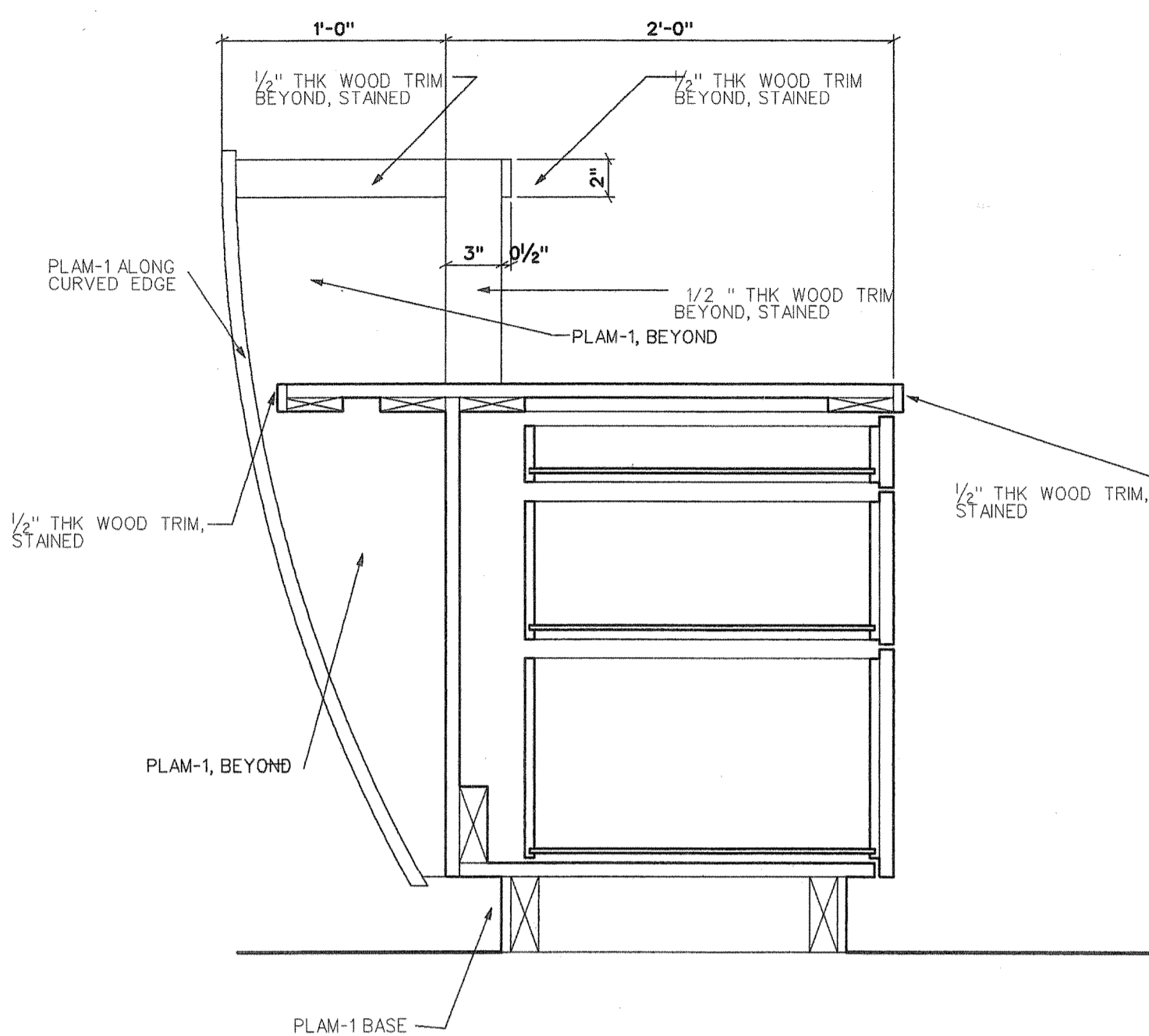
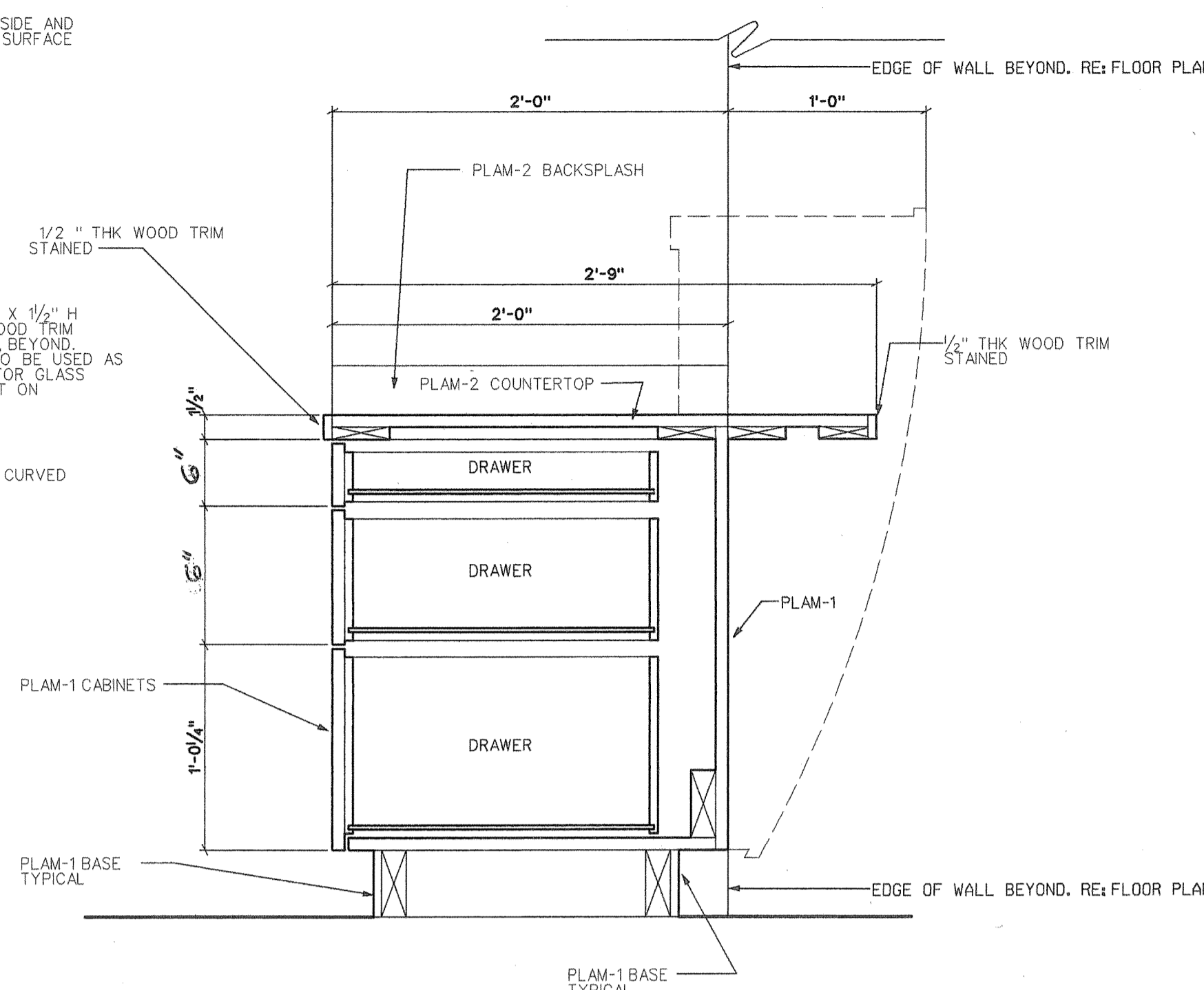
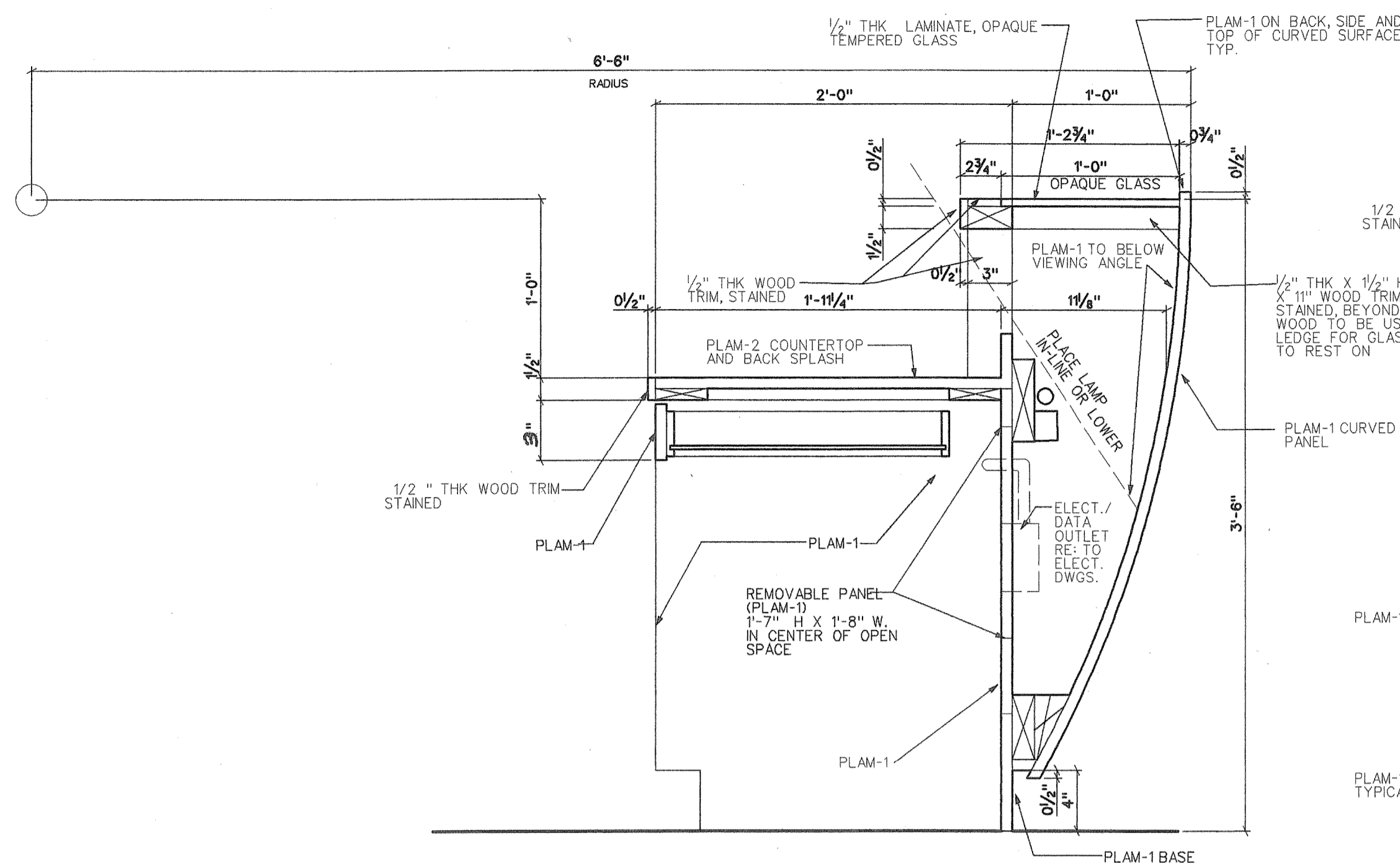


6631 Commerce Parkway, Studio B
Dublin, Ohio 43017
Phone: 614-766-1117
Fax: 614-766-2023
E-mail: WAarch@aol.com

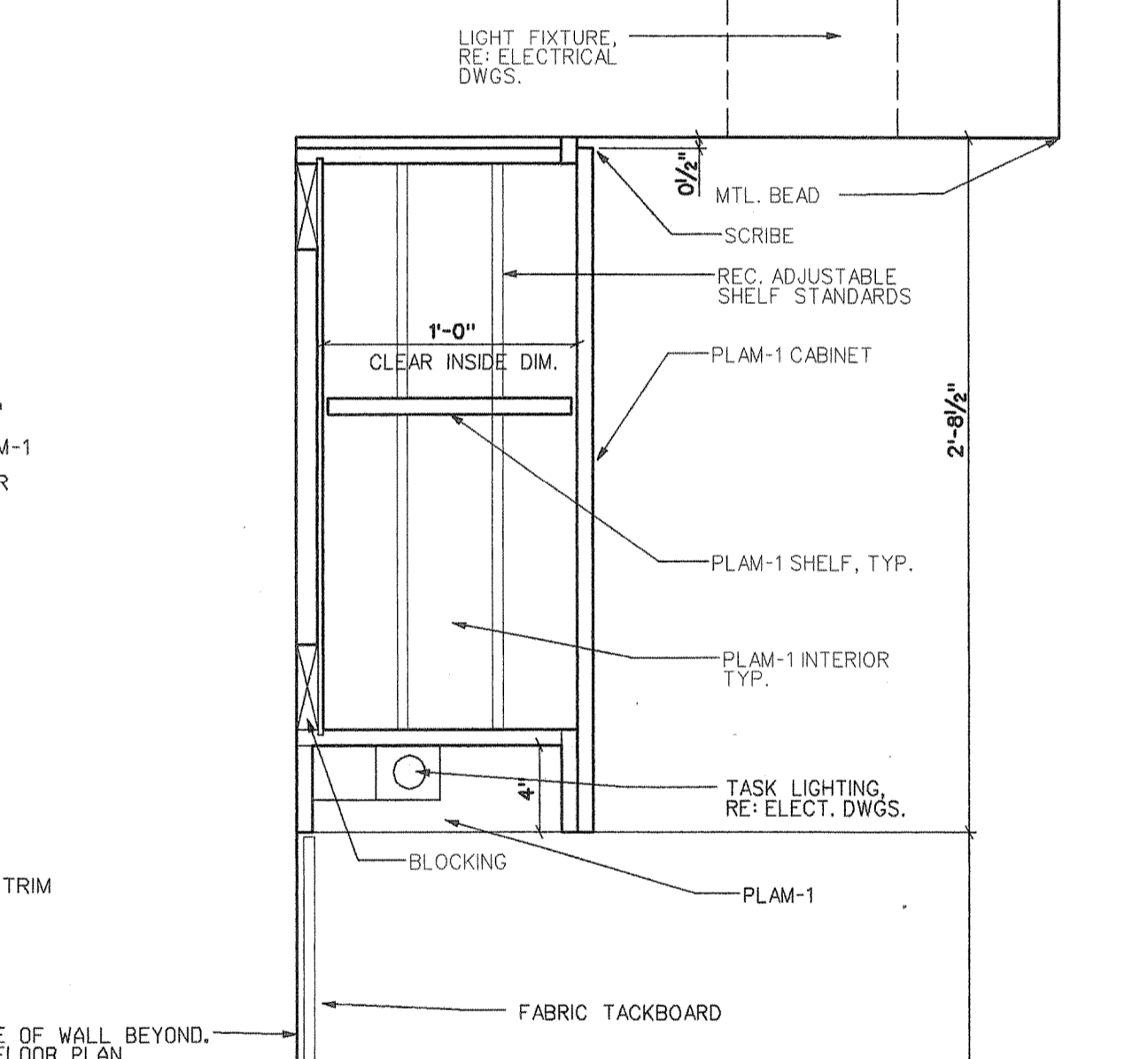
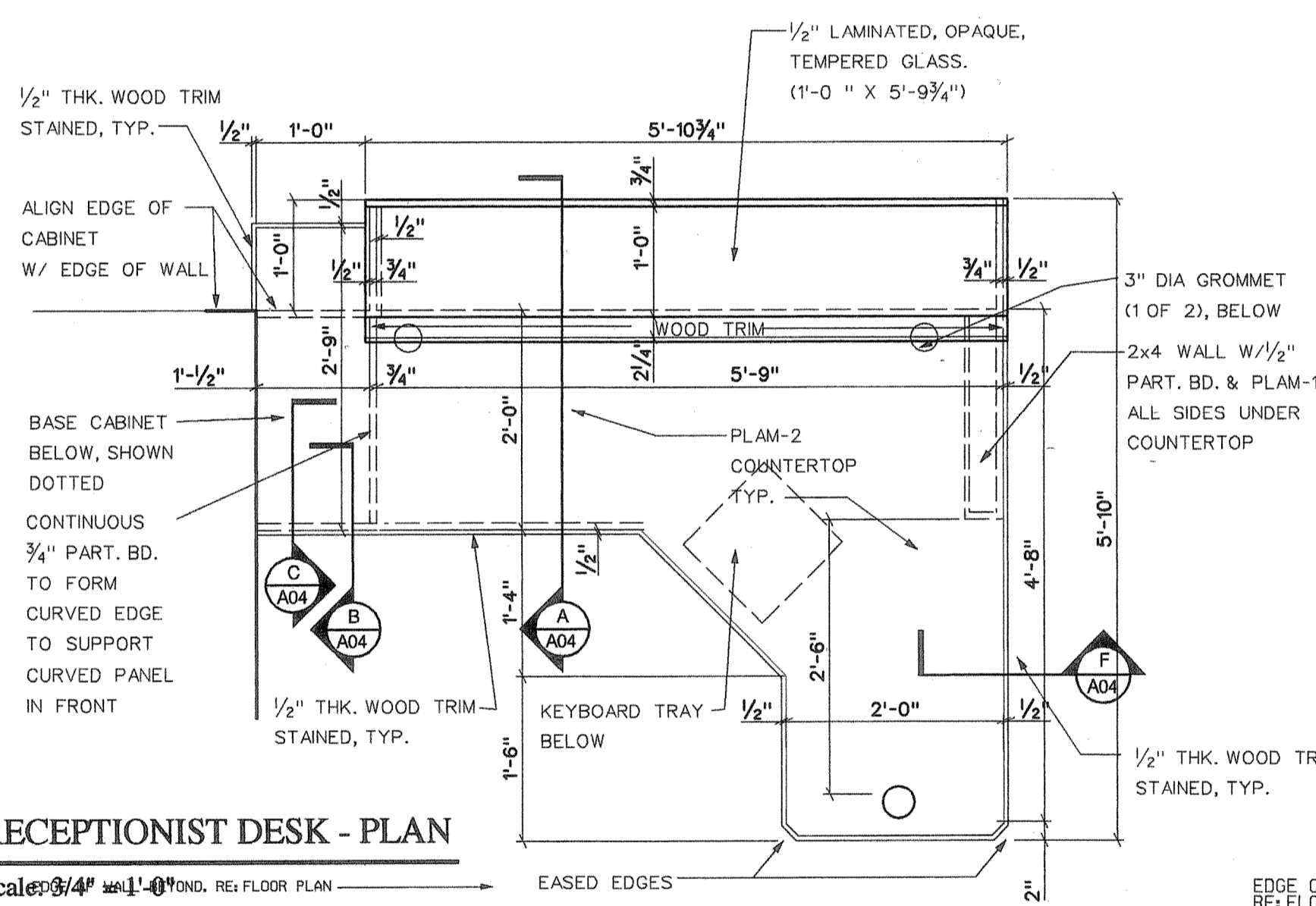
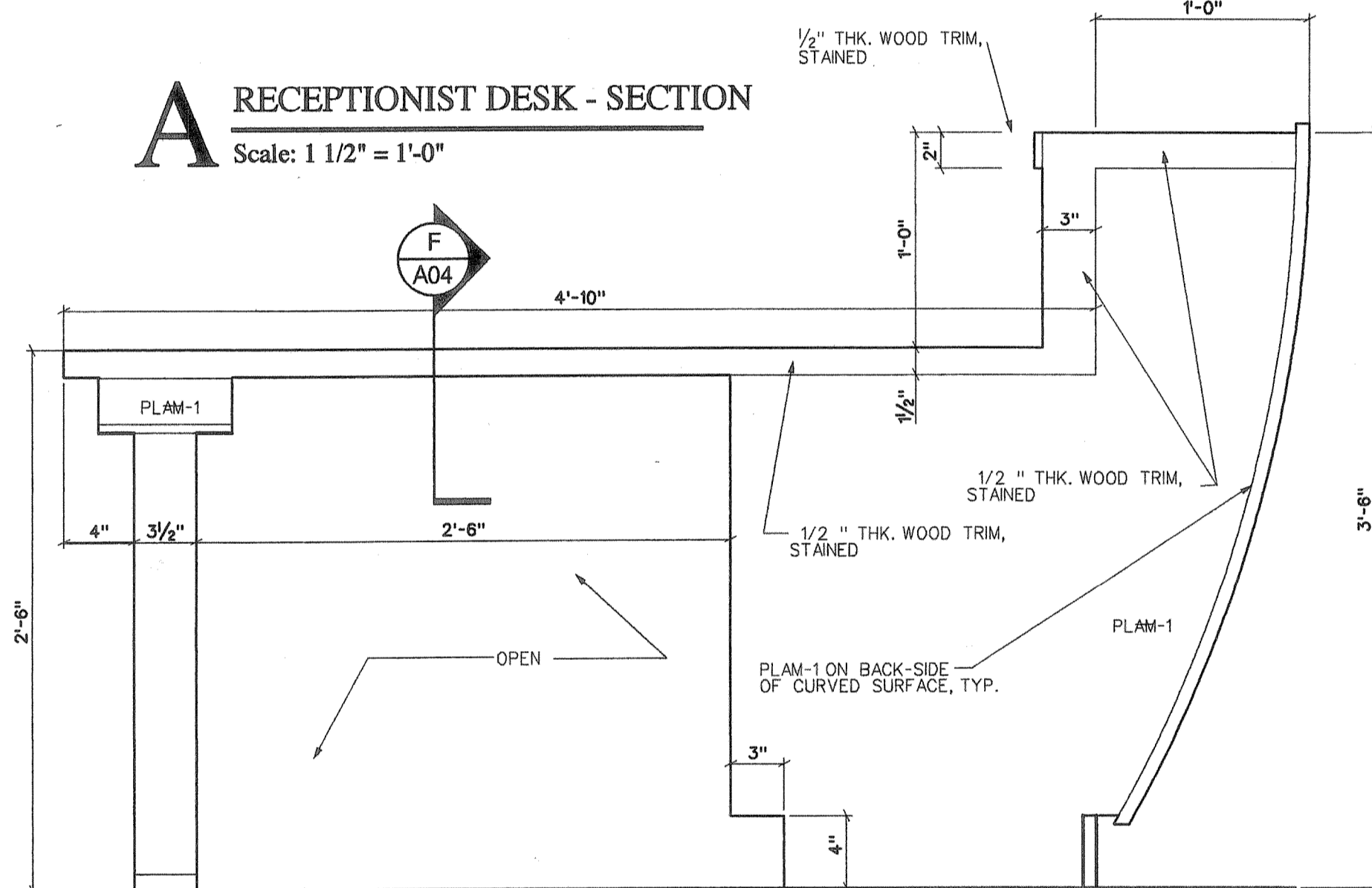
All drawings and written material appearing herein constitute the original and unpublished work of the Architect and may not be duplicated, used, or disclosed without the prior written consent of the Architect.
© 1997 William Andrews Architects



A RECEPTIONIST DESK - SECTION
Scale: 1 1/2" = 1'-0"

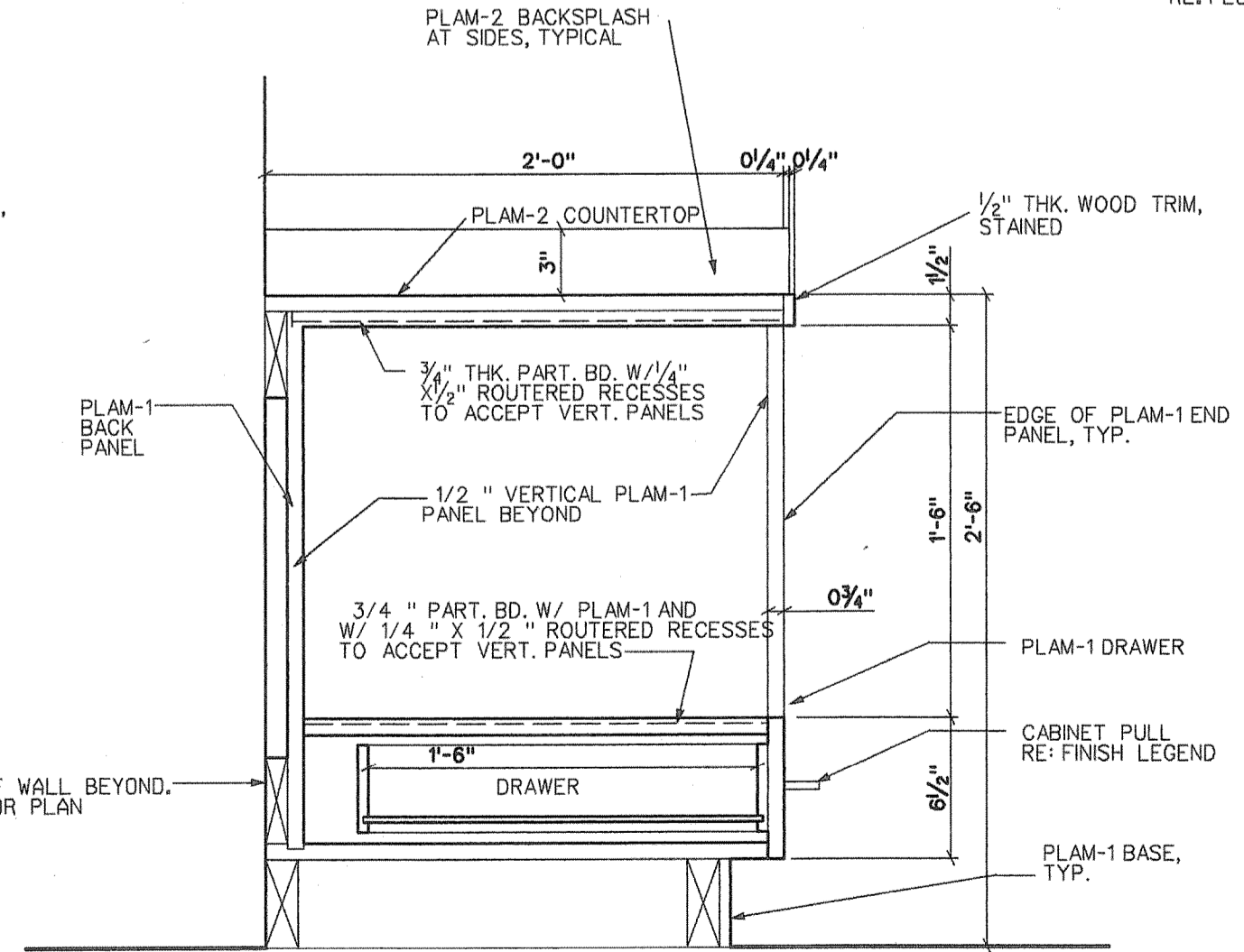
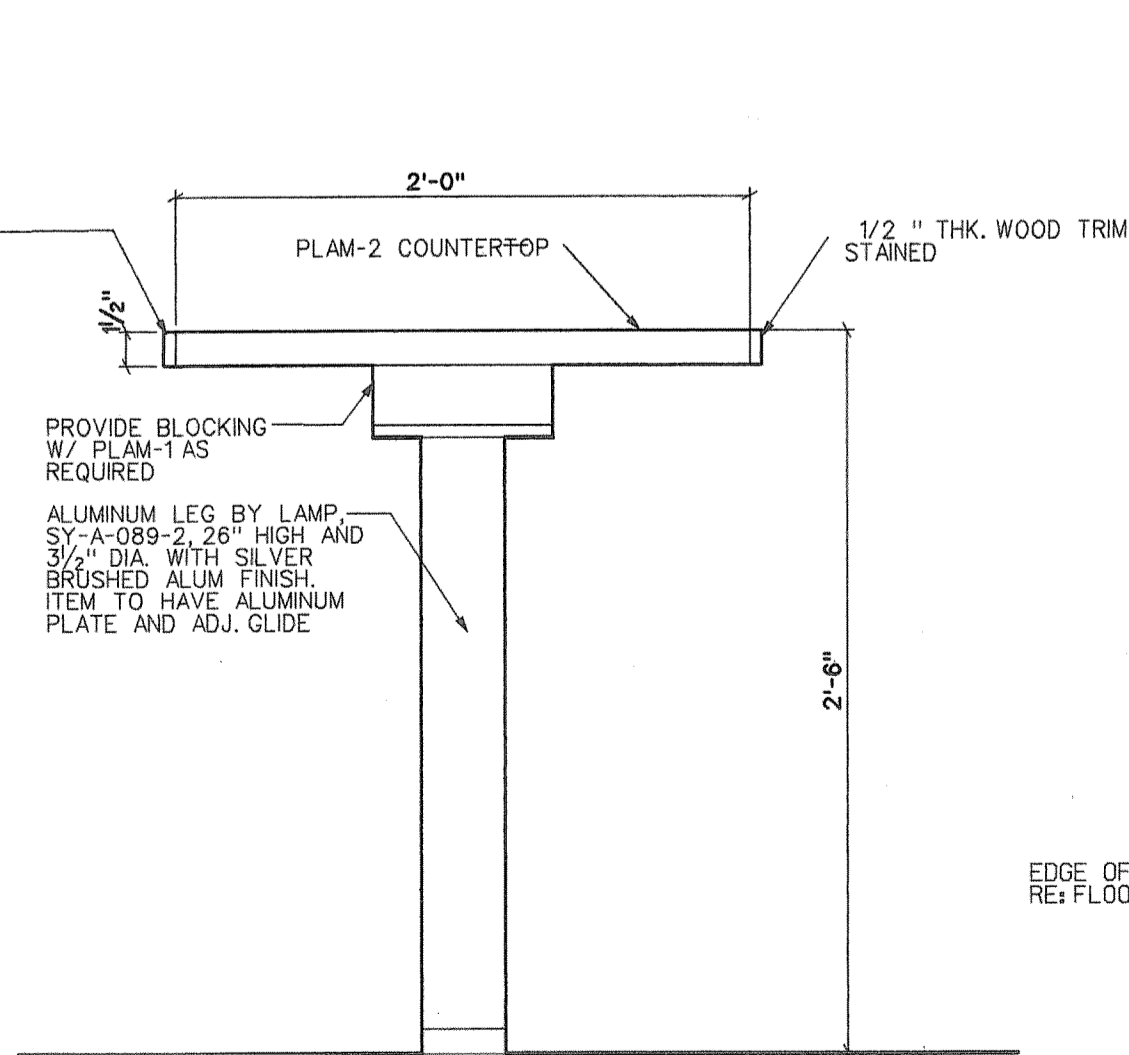
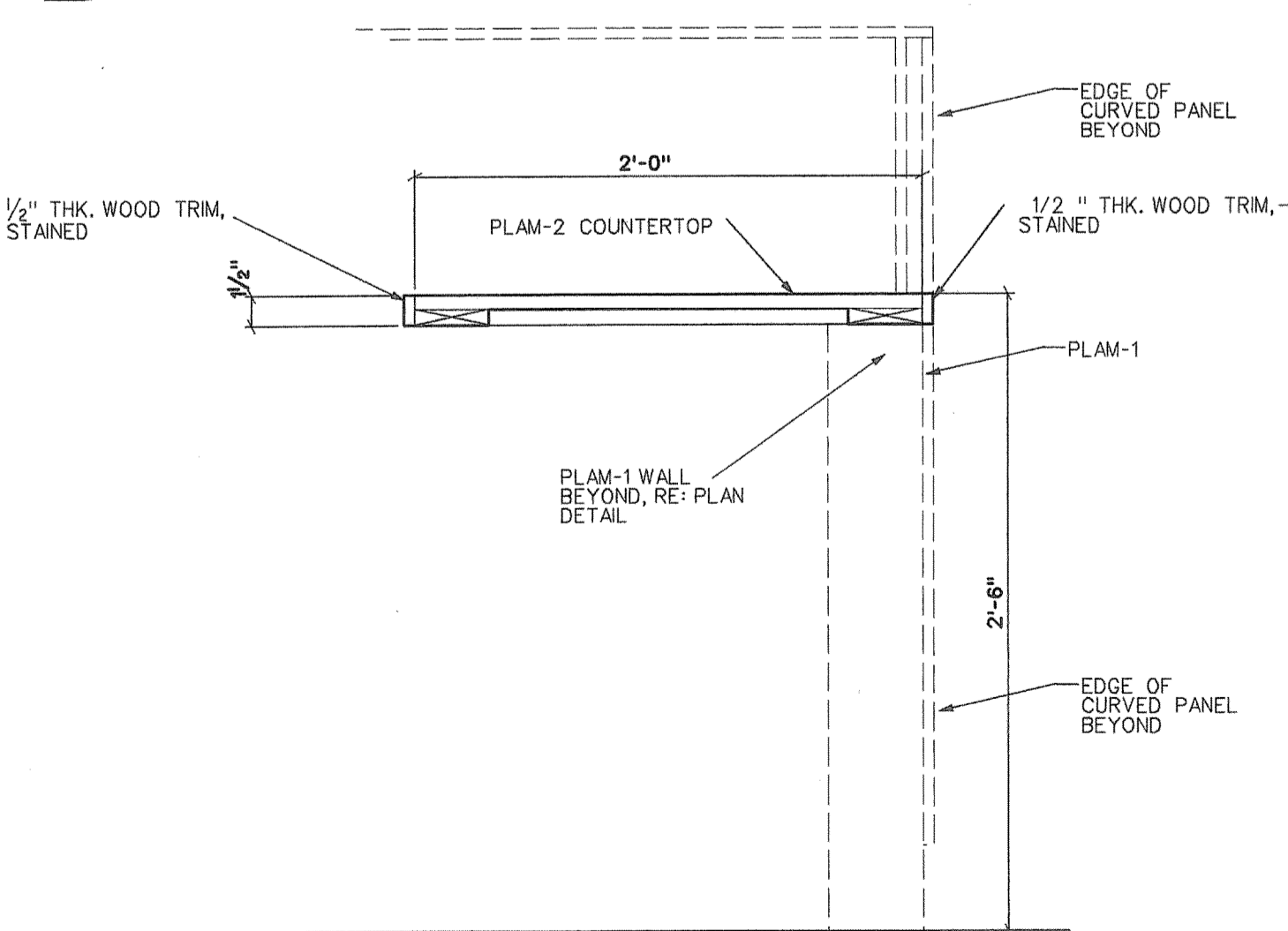
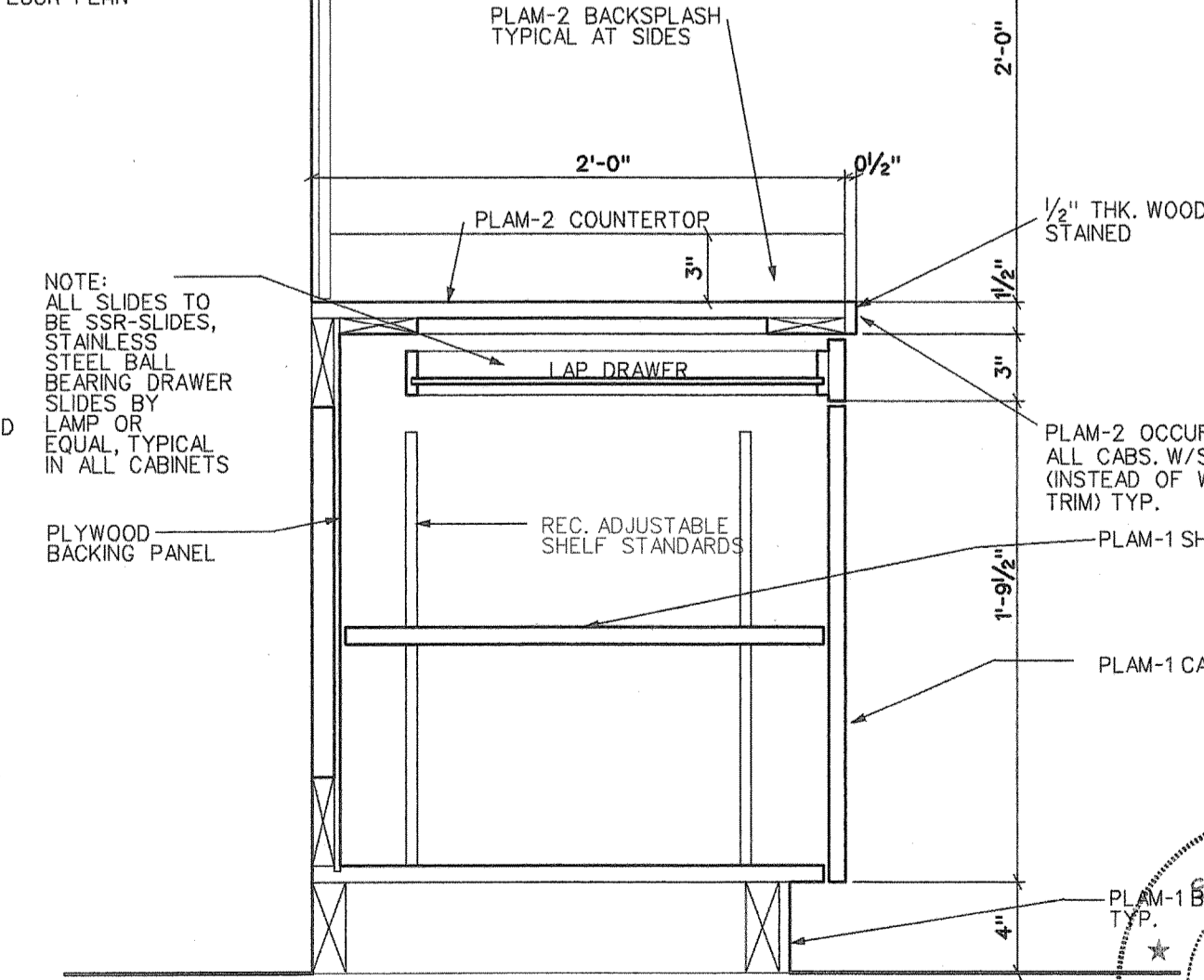
B RECEPTIONIST DESK - SECTION
Scale: 1 1/2" = 1'-0"

C RECEPTIONIST DESK - SECTION
Scale: 1 1/2" = 1'-0"



D RECEPTIONIST DESK - ELEVATION
Scale: 1 1/2" = 1'-0"

E RECEPTIONIST DESK - PLAN
Scale: 3/4" = 1'-0" (AND, RE: FLOOR PLAN)



F RECEPTIONIST DESK - SECTION
Scale: 1 1/2" = 1'-0"

G RECEPTIONIST DESK - SIDE PANEL ELEV.
Scale: 1 1/2" = 1'-0"

H DETAIL
Scale: 1 1/2" = 1'-0"

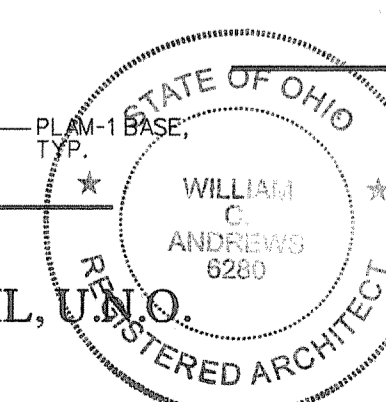
J TYPICAL WALL AND BASE CAB. DETAIL, U.S.O.
Scale: 1 1/2" = 1'-0" (NOTE: DIMS. MAY VARY, REFER TO ELEVATIONS, TYP.)

JASONWAY IMAGING CENTER

FEB. 6th, 1998 PROJ. No. : 97045

<input type="checkbox"/> SCHEMATIC DESIGN	<input type="checkbox"/> REVISION No. 1
<input type="checkbox"/> DESIGN DEVELOPMENT	<input type="checkbox"/> REVISION No. 2
<input type="checkbox"/> DESIGN DEV. SIGN-OFF	<input type="checkbox"/> REVISION No. 3
<input type="checkbox"/> BIDDING	<input type="checkbox"/> REVISION No. 4
<input type="checkbox"/> BLDG. PERMIT SUBMISSION	<input type="checkbox"/> REVISION No. 5
<input type="checkbox"/> CONSTRUCTION	<input type="checkbox"/> REVISION No. 6
<input type="checkbox"/> NOT FOR CONSTRUCTION	
<input type="checkbox"/> RECORD / FILE	

MILLWORK DETAILS



A-04