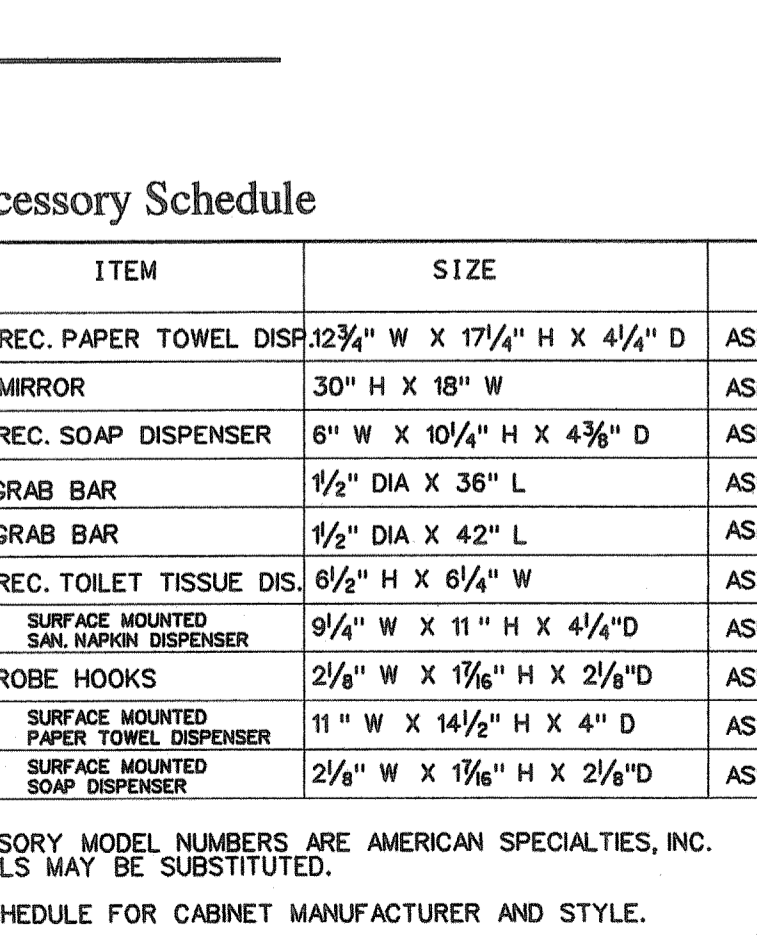
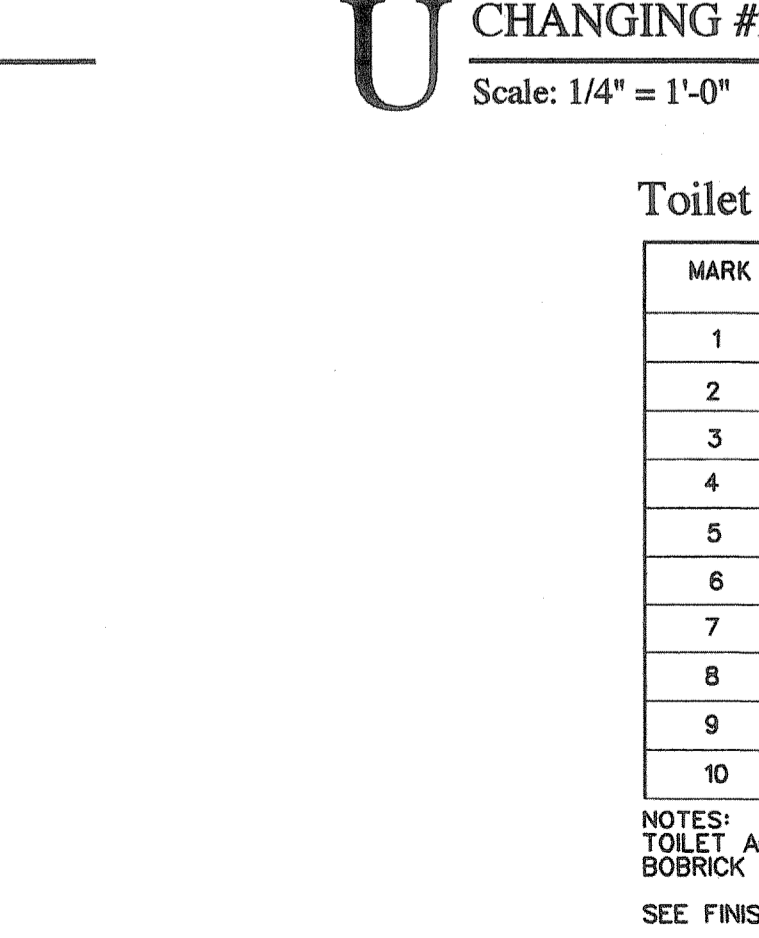
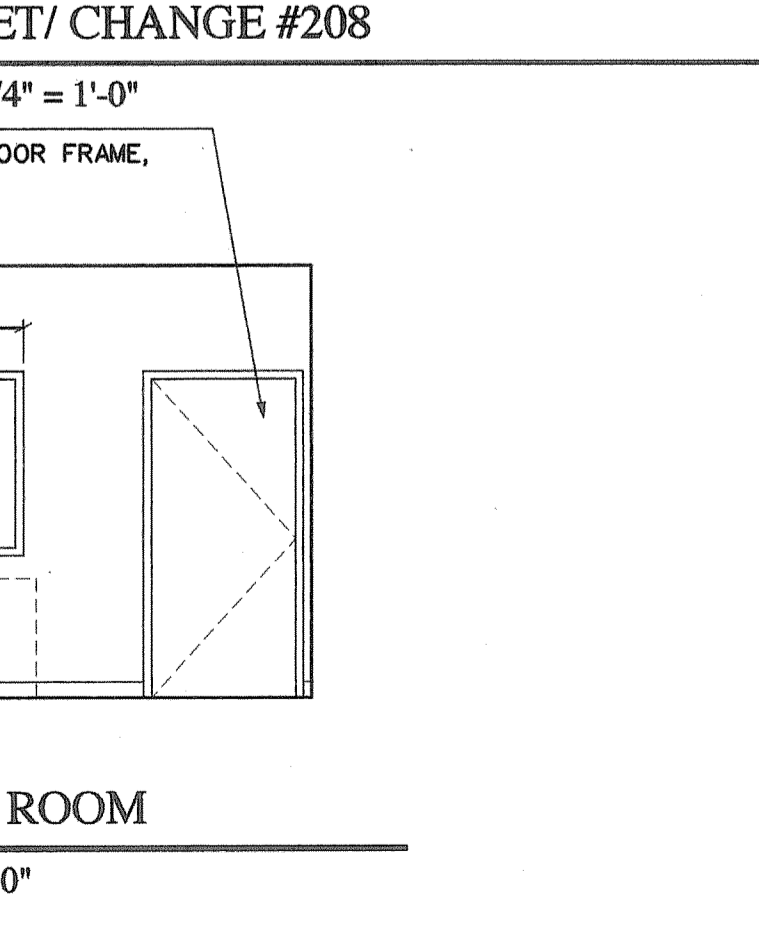
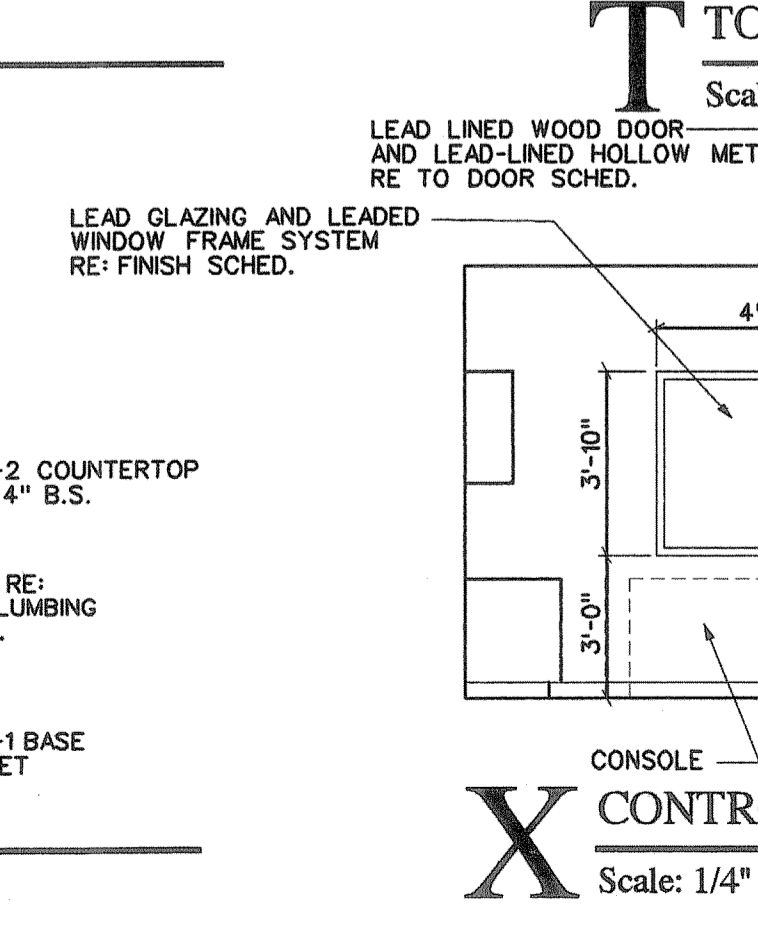
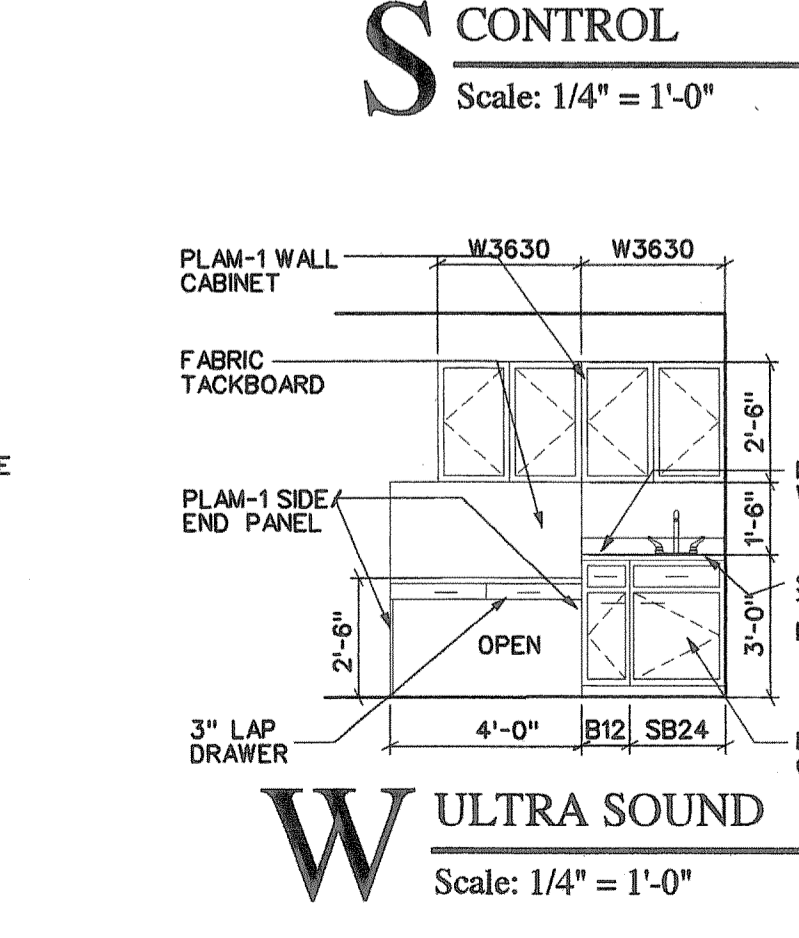
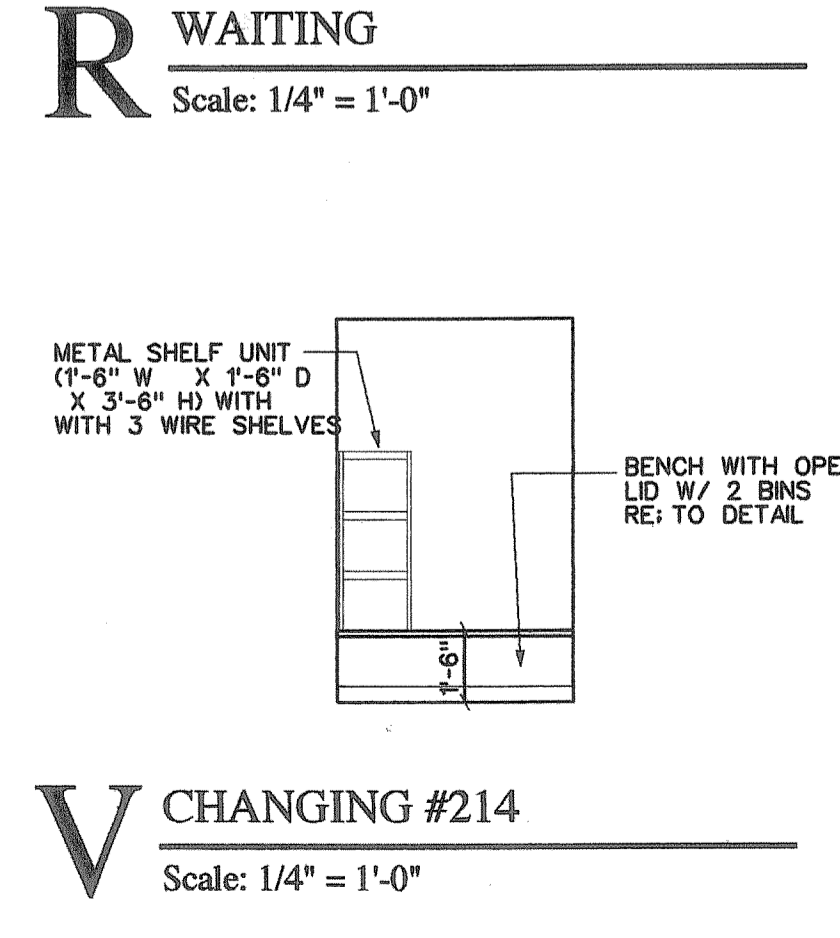
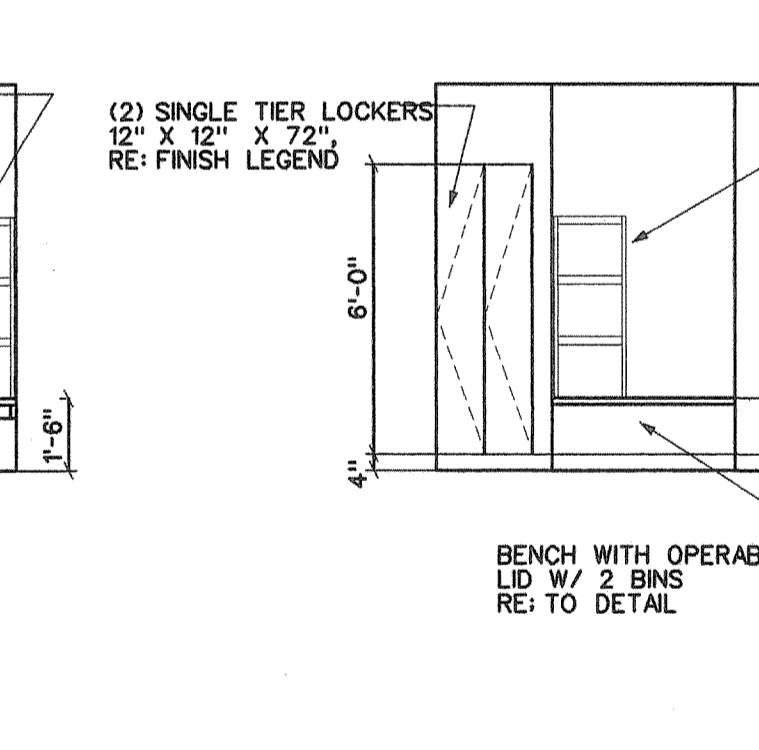
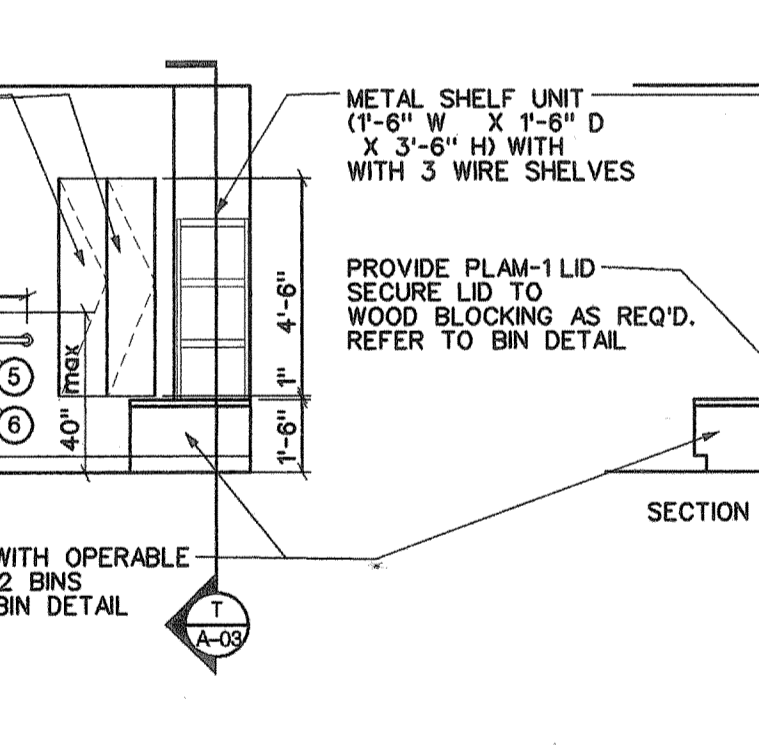
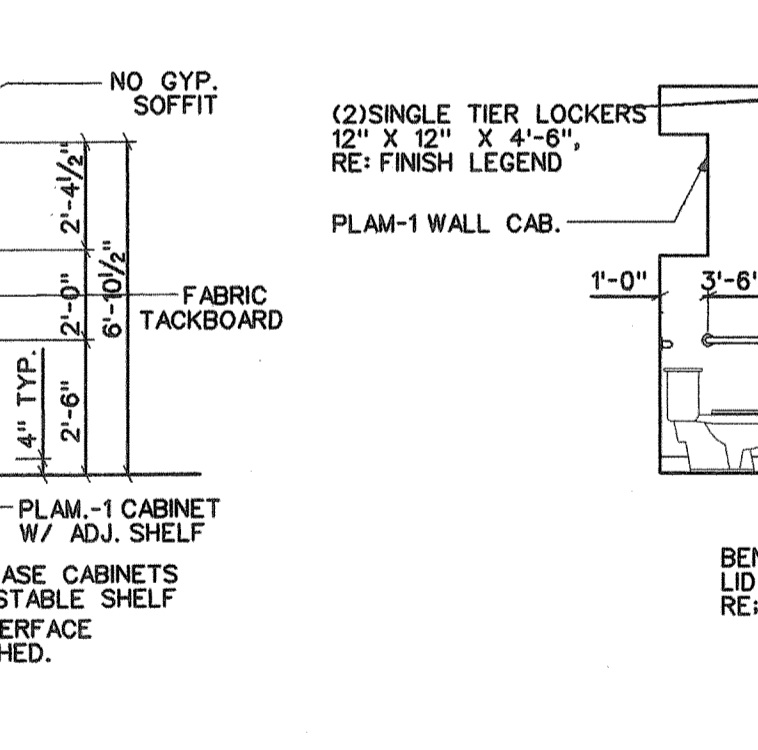
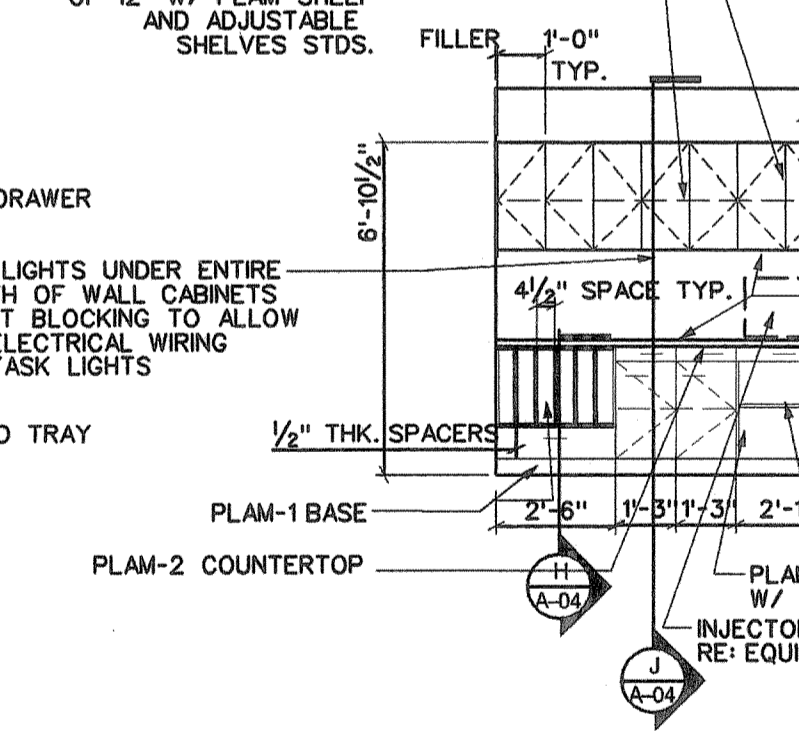
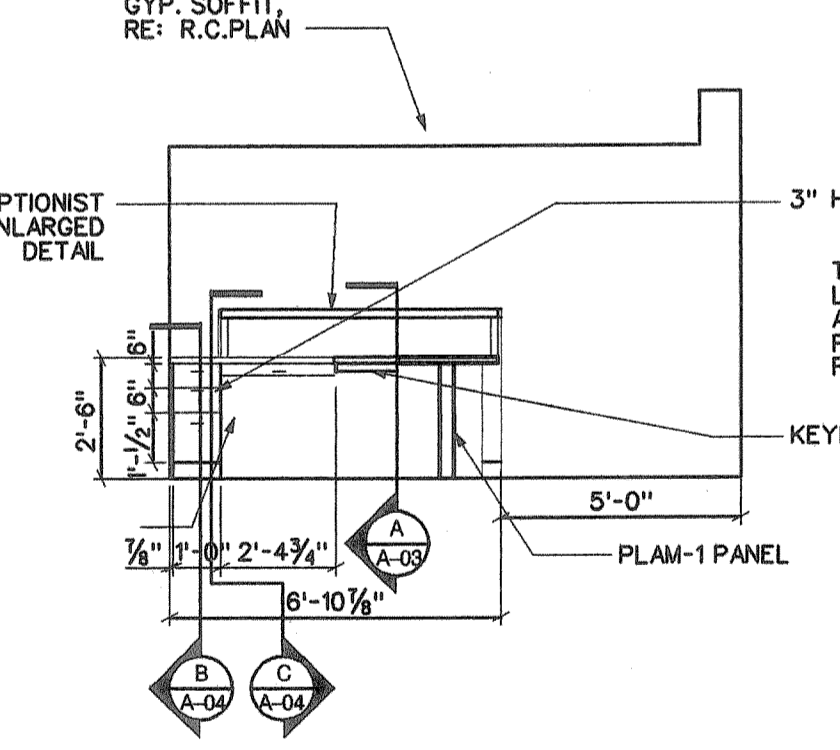
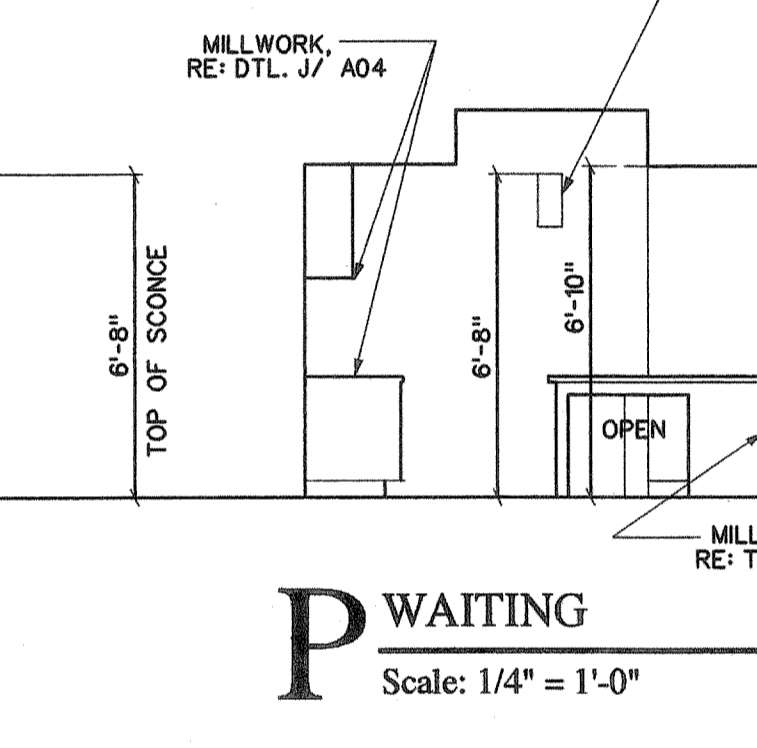
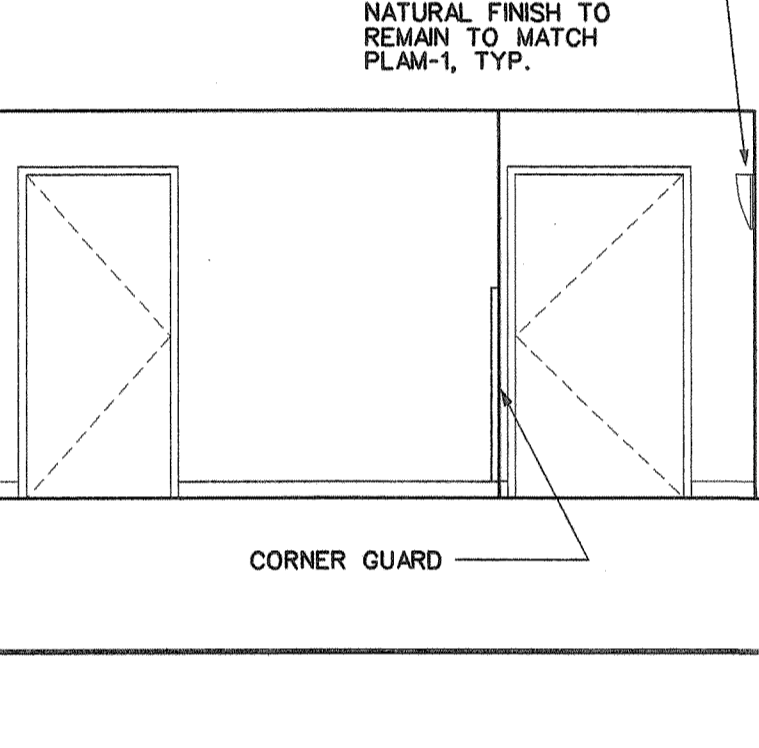
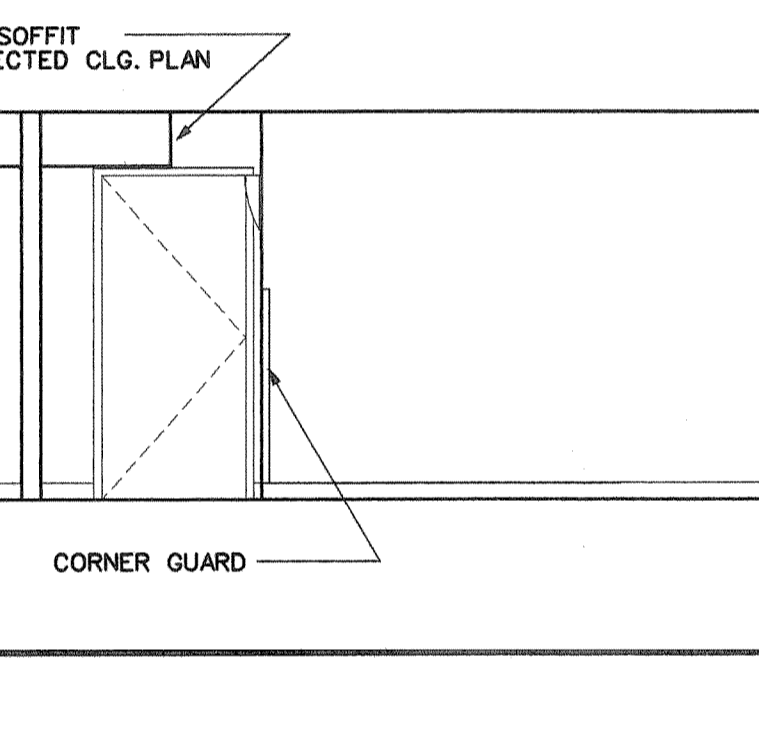
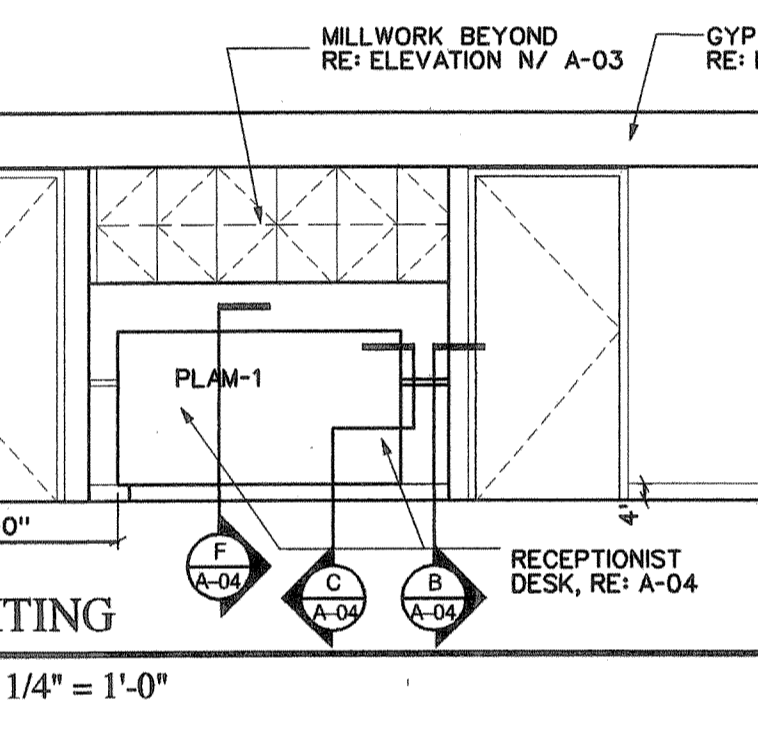
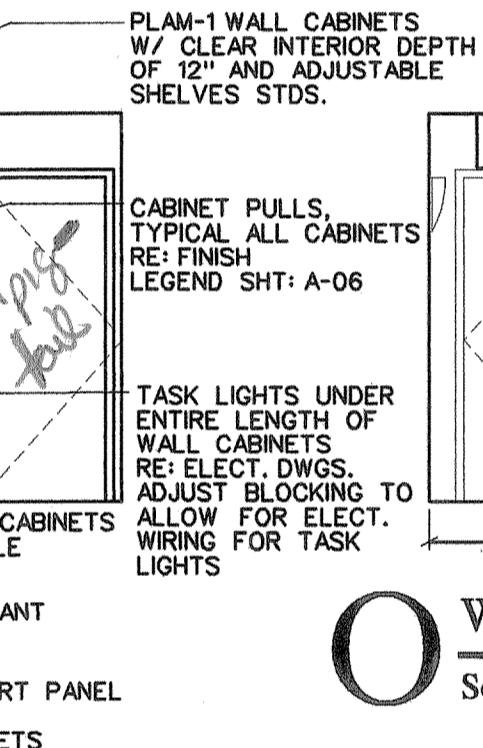
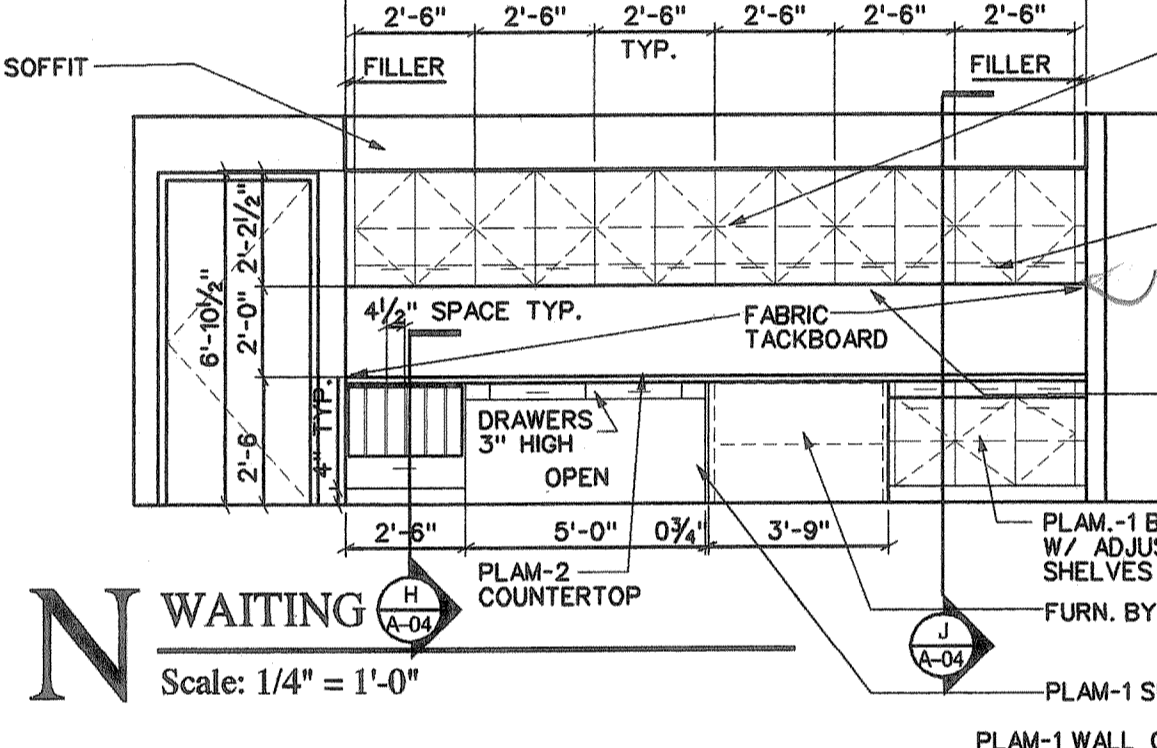
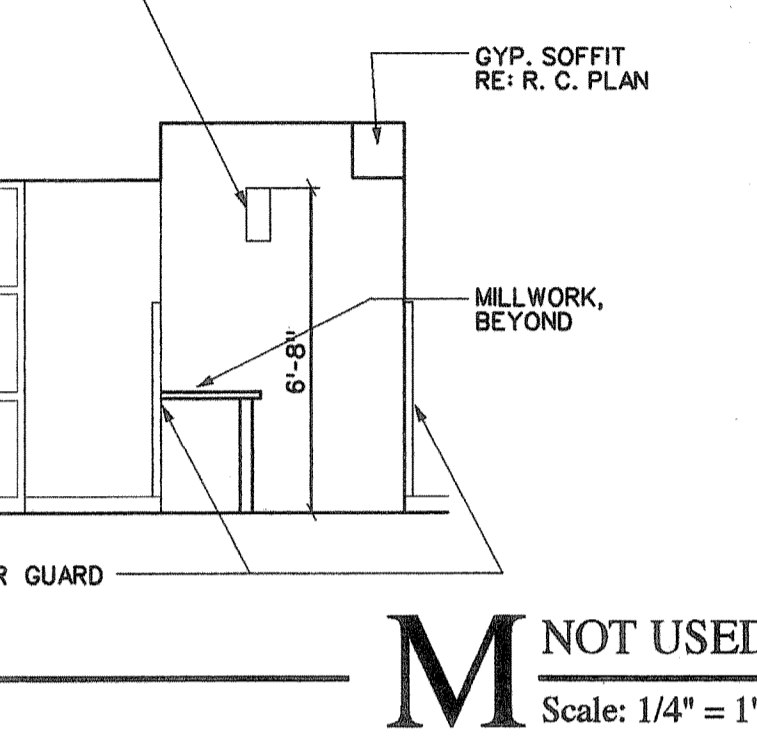
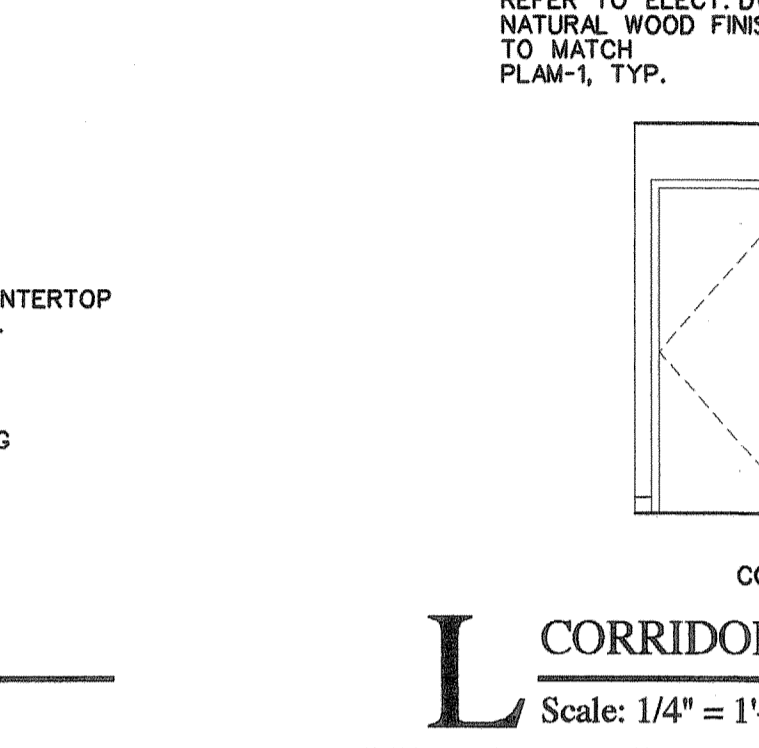
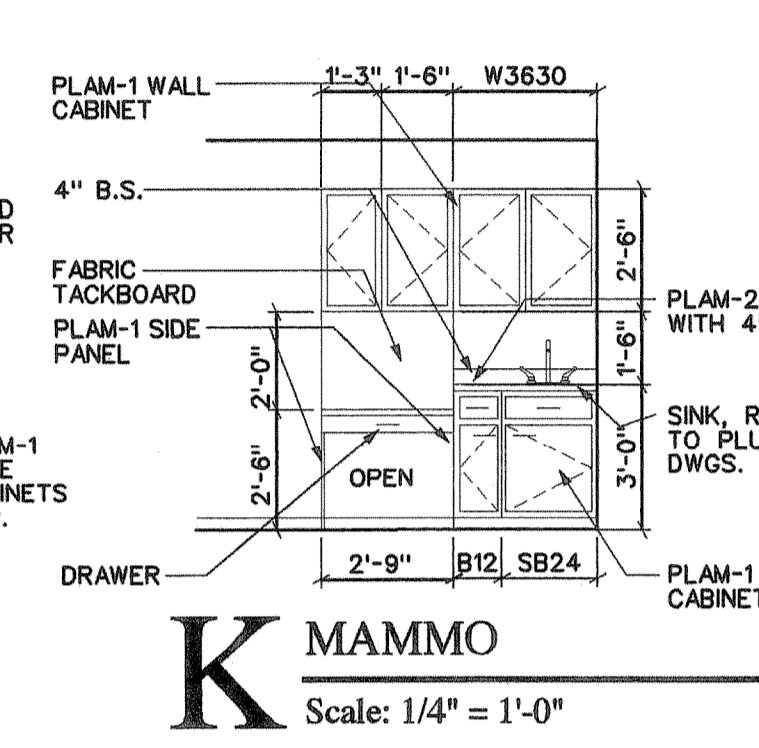
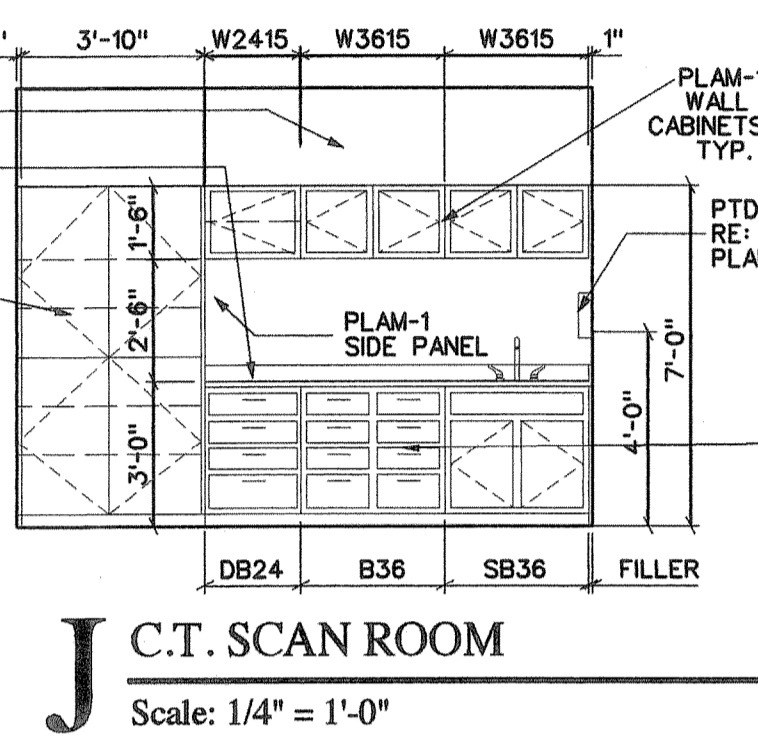
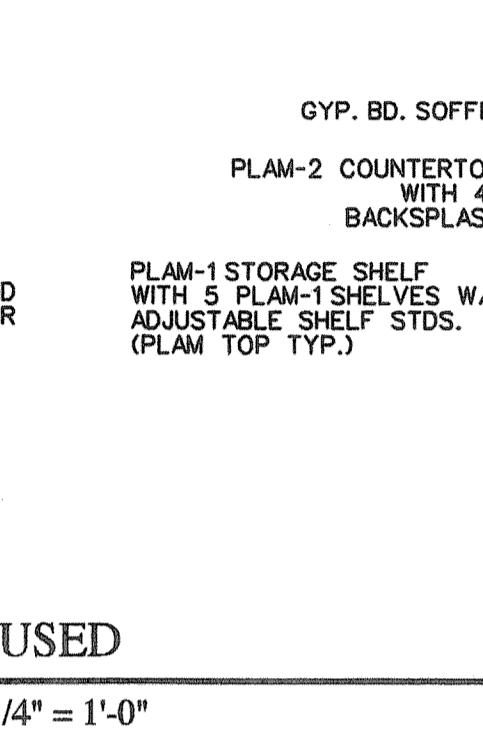
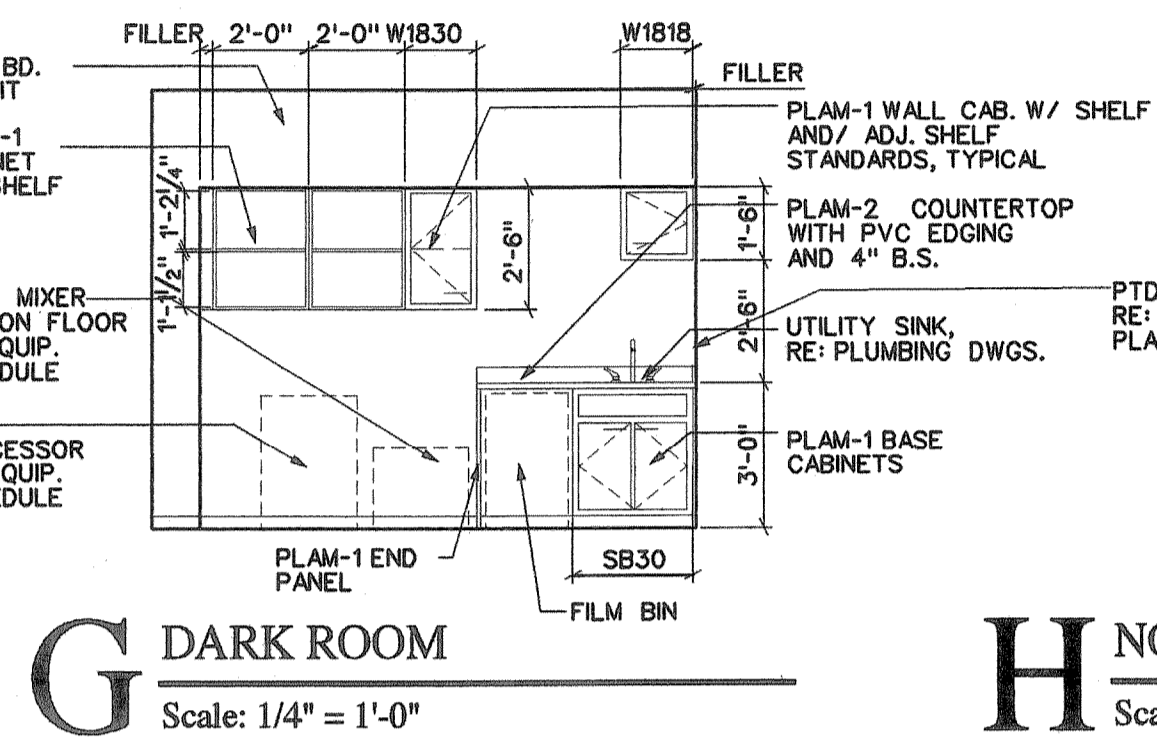
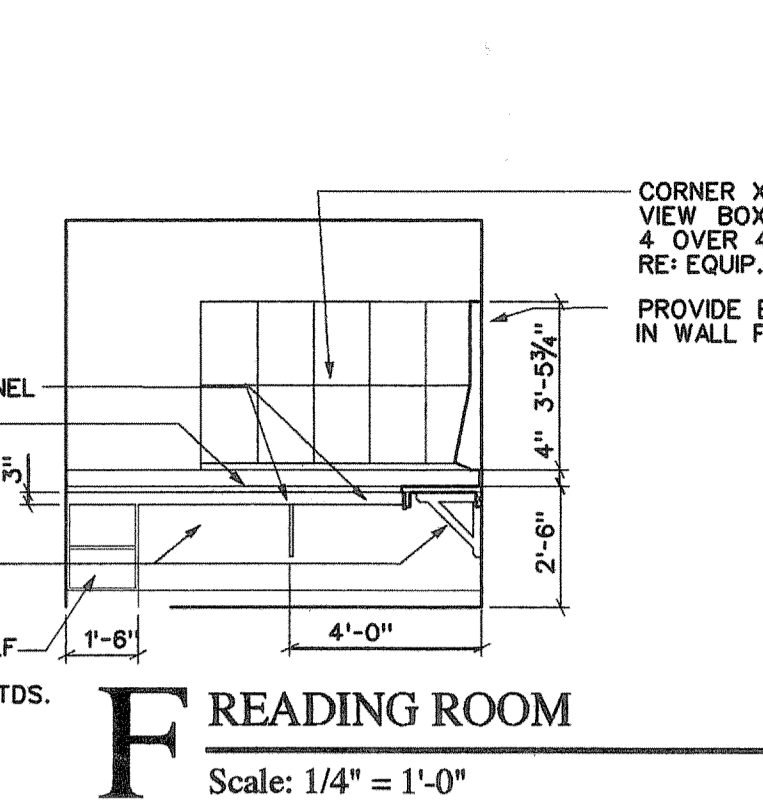
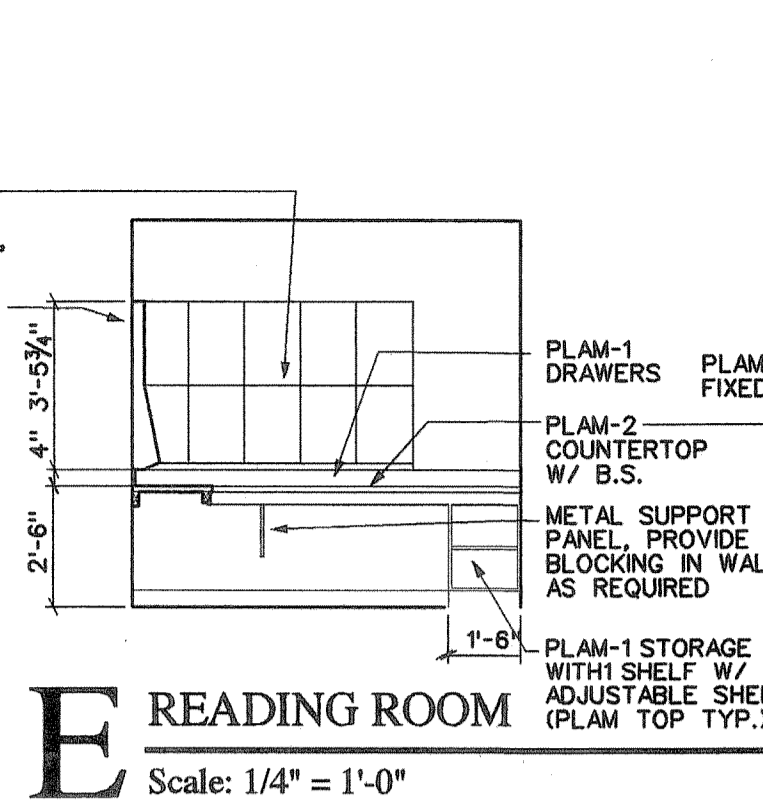
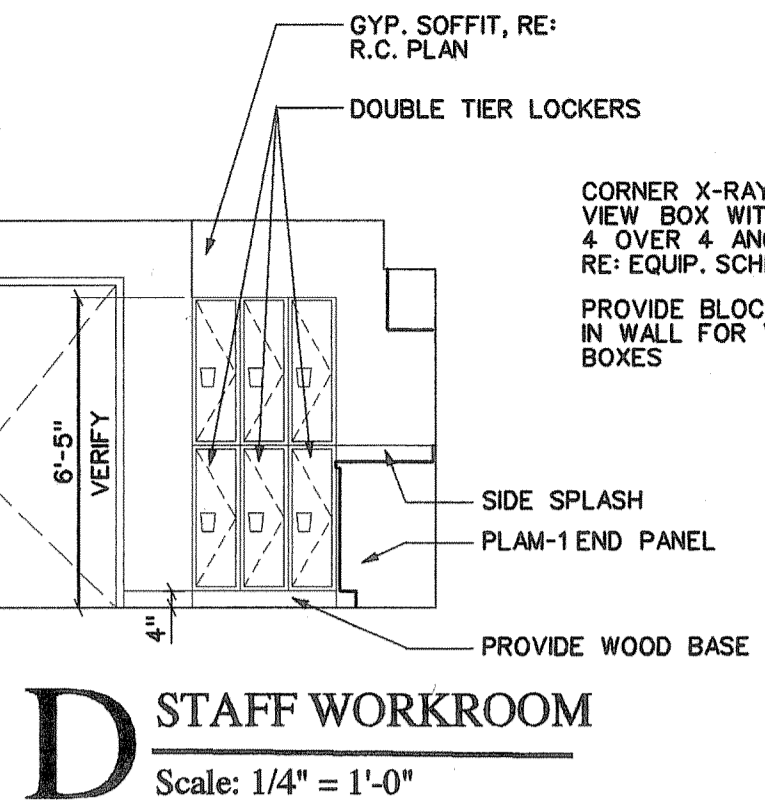
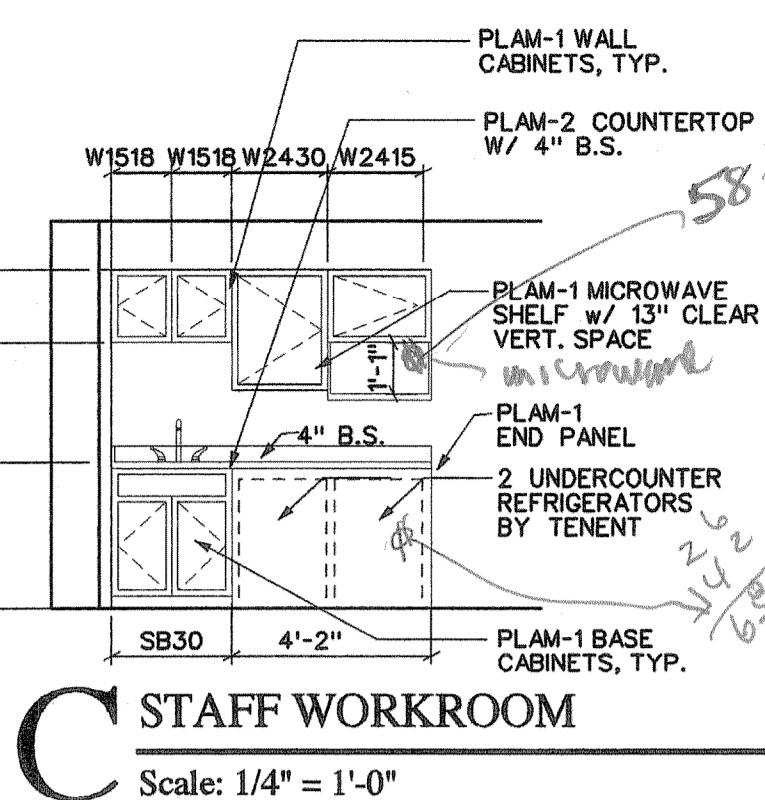
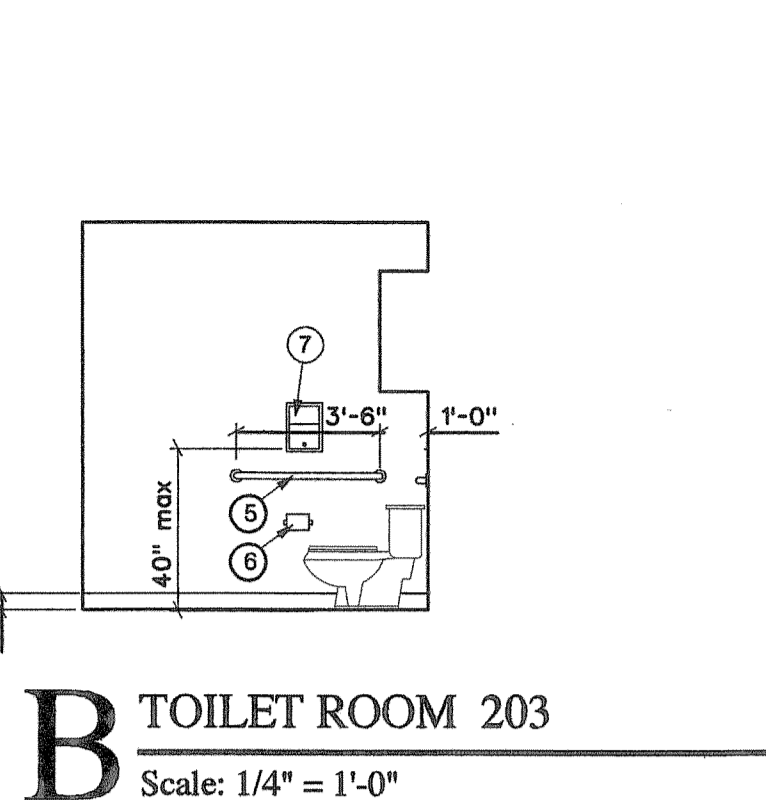
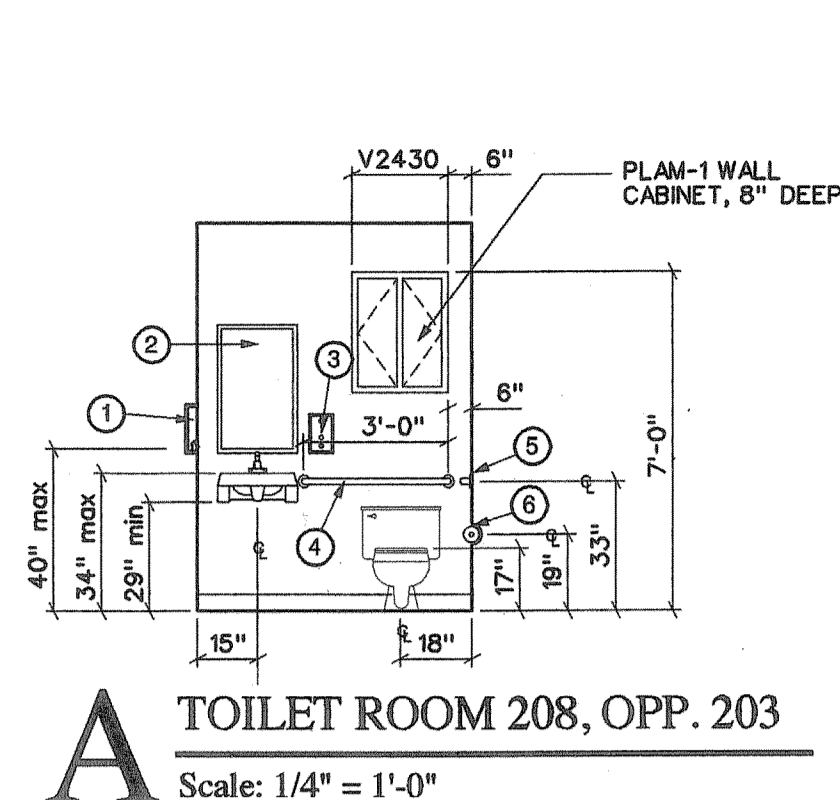


6631 Commerce Parkway, Studio B
Dublin, Ohio 43017
Phone: 614-766-1117
Fax: 614-766-2023
E-mail: WAarch@aol.com

All drawings and written material appearing herein constitute the original and unpublished work of the Architect and may not be duplicated, used, or disclosed without the prior written consent of the Architect. © 1997 William Andrews Architects



JASONWAY IMAGING CENTER

FEB. 6th, 1998 PROJ. No. : 97045

- SCHEMATIC DESIGN
 - DESIGN DEVELOPMENT
 - DESIGN DEV. SIGN-OFF
 - BIDDING
 - BLDG. PERMIT SUBMISSION
 - CONSTRUCTION
 - NOT FOR CONSTRUCTION
 - RECORD / FILE
- REVISION No. 1
 - REVISION No. 2
 - REVISION No. 3
 - REVISION No. 4
 - REVISION No. 5
 - REVISION No. 6

Toilet Accessory Schedule

MARK	ITEM	SIZE	MODEL NO.
1	REC. PAPER TOWEL DISP.	12 3/4" W X 17 1/4" H X 4 1/4" D	ASI 0457
2	MIRROR	30" H X 18" W	ASI 0620 1830
3	REC. SOAP DISPENSER	6" W X 10 1/4" H X 4 3/8" D	ASI 0325
4	GRAB BAR	1/2" DIA X 36" L	ASI 3200 SERIES 36"
5	GRAB BAR	1/2" DIA X 42" L	ASI 3200 SERIES 42"
6	REC. TOILET TISSUE DIS.	6 1/2" H X 6 1/4" W	ASI 7402-R009
7	SURFACE MOUNTED SAN. NAPKIN DISPENSER	9 1/4" W X 11" H X 4 1/2" D	ASI 0852
8	ROBE HOOKS	2 1/8" W X 1 1/8" H X 2 1/8" D	ASI 0745 - Z
9	SURFACE MOUNTED PAPER TOWEL DISPENSER	11" W X 14 1/2" H X 4" D	ASI 0210
10	SURFACE MOUNTED SOAP DISPENSER	2 1/8" W X 1 7/8" H X 2 1/8" D	ASI 0343A

NOTES: TOILET ACCESSORY MODEL NUMBERS ARE AMERICAN SPECIALTIES, INC. BOBBICK EQUALS MAY BE SUBSTITUTED. SEE FINISH SCHEDULE FOR CABINET MANUFACTURER AND STYLE.



INTERIOR ELEVATIONS